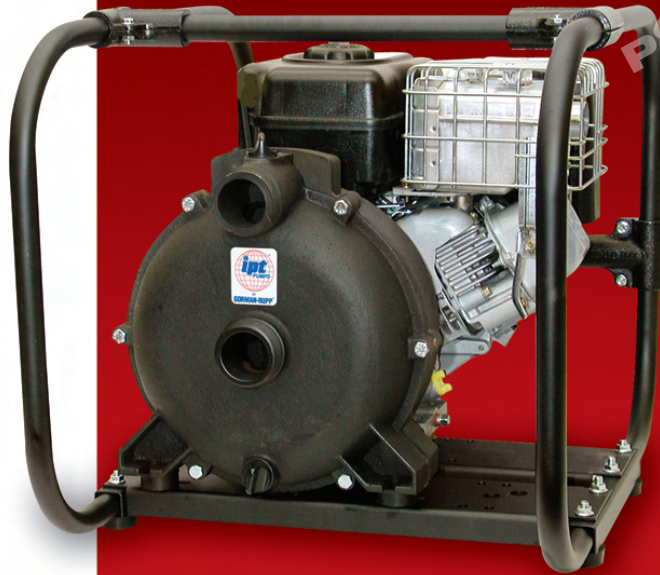




Engine Driven General Purpose Portable Pumps

Cast Iron Self-Priming Engine Driven Pumps

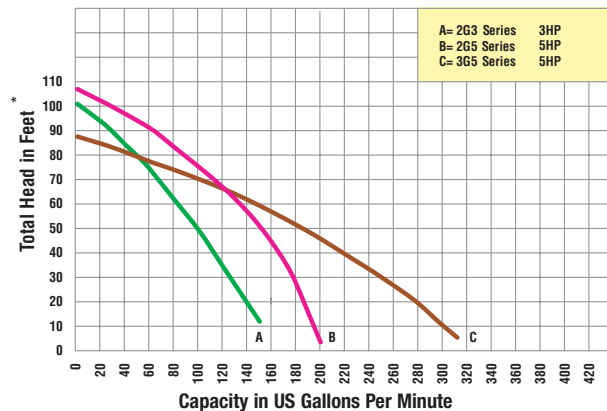
- Available with Honda, B&S Gasoline or Yanmar Diesel Engines
- 2" and 3" Port Sizes
- Cast Iron Construction
- Max. Flow: 300 GPM
- Max. Head: 106 Ft.
- Max. Solids Handling: 1/2" or 3/4"
- Max. Lift: 26 Ft.
- EPDM Seal and O-Rings
- Optional Viton® Elastomers & Carbide Seal
- Optional Wheel Kit



Model 2G5ACR

Portable Self-Priming Pumps available in Cast Iron Construction. Engine options include B&S, Honda or Yanmar. Heavy duty roll cage and strainer included. Many IPT Pumps are readily available "Off-the-Shelf" for fast 24 hour shipment. Additional Models Available in IPT Trash Pump Series. For use with nonflammable liquids compatible with pump component materials.

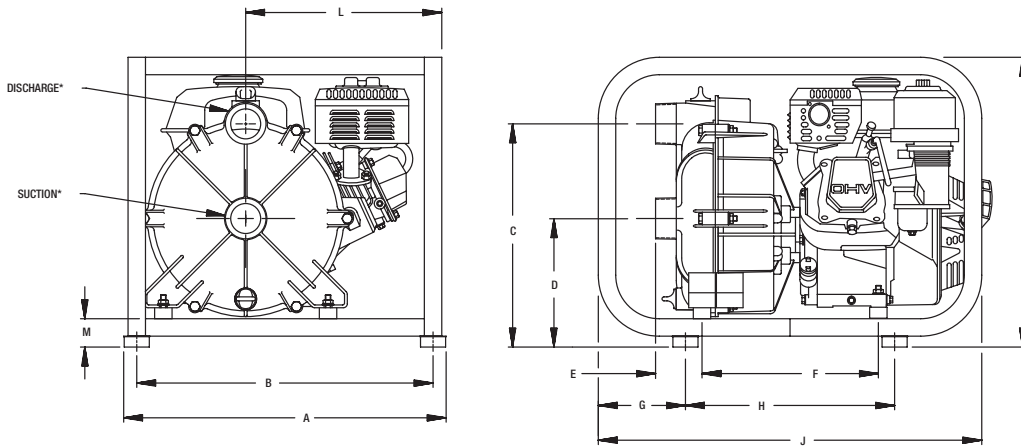
Performance of General Purpose Pumps



*Convert to PSI, divide by 2.31 Liquid-Water specific gravity 1.0

*Viton® and Teflon® are registered trademarks of DuPont

General Purpose Portable Pumps



DIMENSIONS:
INCHES
[MILLIMETERS]

MODEL	A	B	C	D	E	F	G	H	J	K	L	M	DISCH*	SUCT*
2G3	19.50 [495]	18.00 [457.2]	12.81 [325.4]	7.38 [187.4]	2.67 [67.8]	10.19 [258.8]	7.40 [187.1]	9.30 [235.5]	24.3 [617]	20 [508]	11.36 [288.5]	1.80 [46.2]	** 2.00	** 2.00
2G5	19.50 [495]	18.00 [457.2]	12.81 [325.4]	7.38 [187.4]	2.83 [71.9]	10.29 [261.4]	7.40 [187.1]	9.30 [235.5]	24.3 [617]	20 [508]	11.36 [288.5]	1.80 [46.2]	** 2.00	** 2.00
3G5	19.50 [495]	18.00 [457.2]	13.40 [340.4]	7.38 [187.4]	5.22 [132.6]	10.12 [257.0]	7.40 [187.1]	9.30 [235.5]	24.3 [617]	20 [508]	11.36 [288.5]	1.80 [46.2]	** 3.00	** 3.00

(**) STANDARD NPT (MALE) PIPE THREAD.

2" General Purpose Dewatering Pumps

C. Iron Model#	Ship Wt.	Curve	Ports	Driver	Seal	Run Time	Tank size
2G3ACR	94	A	2" NPT	B&S 525	EPDM/CER/CAR	180 min.	3 qt.
2G5QCR	98	B	2" NPT	Honda GC160	EPDM/CER/CAR	60 min.	1.8 qt.
2G5ACR	100	B	2" NPT	B&S CP650	EPDM/CER/CAR	90 min.	3 qt.
2G5HCR	104	B	2" NPT	HONDA GX160	EPDM/CER/CAR	100 min.	3.8 qt.
2G5YCR	125	B	2" NPT	Yanmar Diesel L48	EPDM/CER/CAR	110 min.	2.6 qt.

Maximum Solids Handling Capability: 1/2" Diameter

3" General Purpose Dewatering Pumps

C. Iron Model#	Ship Wt.	Curve	Ports	Driver	Seal	Run Time	Tank size
3G5QCR	111	C	3" NPT	Honda GC160	EPDM/CER/CAR	60 min.	1.8 qt.
3G5ACR	121	C	3" NPT	B&S CP650	EPDM/CER/CAR	100 min.	3 qt.
3G5HCR	125	C	3" NPT	HONDA GX160	EPDM/CER/CAR	100 min.	3.8 qt.
3G5YCR	146	C	3" NPT	Yanmar Diesel L48	EPDM/CER/CAR	110 min.	2.6 qt.

Maximum Solids Handling Capability: 3/4" Diameter

5/8" Threaded Kit (Single)

Cast Iron Model #	Cast Iron Ship Wt. (lbs.)	Seal Type & Elastomer/Faces	Mounting
2G3C	30	EPDM Cer/Car	Handle
2G5C	31	EPDM Cer/Car	Handle
3G5C	39	EPDM Cer/Car	Handle

*Viton® and Teflon® are registered trademarks of DuPont.

WARNING: Do not use in explosive atmosphere or for pumping volatile flammable liquids.

See price book page 2

The Gorman-Rupp Company reserves the right to discontinue any model or change specifications at any time without incurring any obligation.

Standard Features

- Cast Iron Impeller and Cast Iron Volute
- EPDM Seal with Ceramic & Carbon Faces
- Optional Viton®/Carbide Seal & O-Ring
- Built-In Check Valve
- Horizontal Discharge and Male NPT Threaded Connections
- Choice of Briggs & Stratton, Honda Gasoline or Yanmar Diesel Engines
- Optional Wheel Kit
- Strainer Supplied
- Heavy Duty Roll Frame
- Maximum Temperature 180° F
- Additional Models Available in IPT Trash Pump and High Pressure Pump Series.

