



I Application

The INNOVA F valve is a shut-off single seat valve designed specifically for installation at the tank bottom for use in hygienic applications.

I Design and features

- More compact space-saving design.
- Specific body with a welded flange.
- 45° elbow outlet to enable welding.
- Opening towards the inside of the valve.
- Radial type seal design.
- Single-acting actuator.
- Normally closed valve.
- Open lantern allows visual inspection of shaft sealing.

I Technical specifications

Materials:

Parts in contact with the product	AISI 316L (1.4404)
Other stainless steel parts	AISI 304 (1.4301)
Gasket	EPDM

Surface finish:

Internal	Bright polish Ra ≤ 0,8 µm
External	Matt

Available sizes:

DIN 11850	DN 25 - DN 100
ASME BPE	OD 1" - OD 4"

Connections:

Weld

Operating limits:

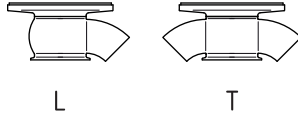
Temperature range	-10 °C to +121 °C (EPDM)	14 °F to 250 °F
SIP, max. 30 min	+140 °C	284 °F
Maximum working pressure	10 bar	145 PSI
Minimum working pressure	Vacuum	Vacuum
Compressed air pressure	6-8 bar	87-116 PSI

I Options

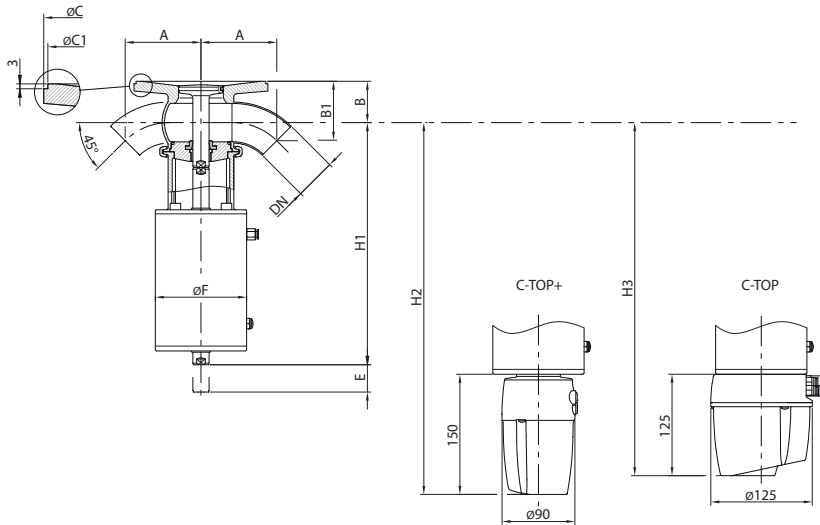
- Manual actuator.
- Gaskets: FPM, HNBR.
- Other connection types.
- C-TOP and C-TOP+ control units.
- External position sensors.
- Surface finish: Ra ≤ 0,5 µm.



I Housing combinations

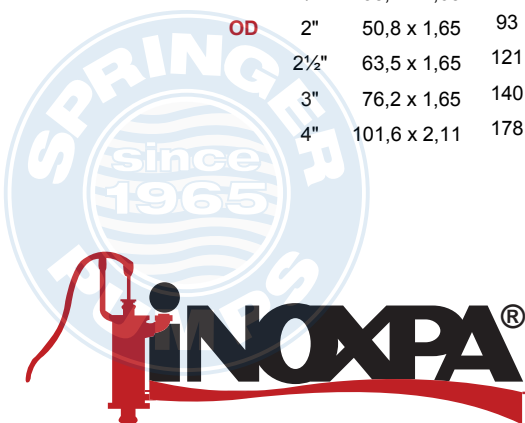


I Dimensions



	DN	Pipe Ø	A	B	B1	Ø C	Ø C1	Ø F	E	H1	H2	H3	kg
DIN	25	29 x 1,5	58	41	56	125	120	87	27	228	367	342	6,0
	40	41 x 1,5	75	45	63	155	150	87	27	238	377	352	7,0
	50	53 x 1,5	90	52	73	165	160	112	34	300	433	408	10
	65	70 x 2,0	110	63	86	195	190	143	40	346	485	460	18
	80	85 x 2,0	122	74	100	215	210	143	40	353	492	467	19
	100	104 x 2,0	141	87	116	255	250	216	36	380	516	491	36

OD	1"	25,4 x 1,65	51	39	50	125	120	87	27	226	365	340	6,0
	1½"	38,1 x 1,65	73	43	60	155	150	87	27	237	379	354	7,0
	2"	50,8 x 1,65	93	51	73	165	160	112	34	298	434	409	10
	2½"	63,5 x 1,65	121	60	88	195	190	143	40	343	488	463	18
	3"	76,2 x 1,65	140	69	103	215	210	143	40	349	496	471	20
	4"	101,6 x 2,11	178	85	130	255	250	216	36	379	517	492	37



The information is for guidance only. We reserve the right to modify any material or feature without notice in advance. Photos are not binding. For further information, please, consult our web site. www.inoxpa.com