



I Application

The INNOVA type J valve is a pneumatic single seat valve designed for use as overflow valve in hygienic installations.
 Its most important applications involve operating as a by-pass valve for positive displacement pumps or protecting equipment against excessive pressure.
 Adjusting the screw on the upper part sets the spring pressure, which sets the valve's closing pressure.
 The valve opens when the set pressure is exceeded.
 The valve comes with an actuator that enables liquid to flow during CIP cleaning processes.

I Design and features

Pressure range: from 0,5 to 6 bar.
 Easy assembly/disassembly of internal parts by loosening a clamp fastener.
 Open lantern allows visual inspection of shaft sealing.
 360° adjustable body.

I Technical specifications

Materials:

Parts in contact with the product	AISI 316L (1.4404)
Other stainless steel parts	AISI 304 (1.4301)
Gasket	EPDM

Surface finish:

Internal	Bright polish $Ra \leq 0,8 \mu m$
External	Matt

Available sizes:

DIN 11850	DN 25 – DN 100
ASME BPE	OD 1" – OD 4"

Connections:

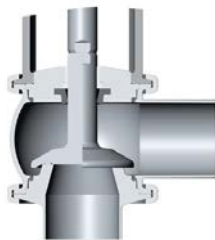
Weld

Operating limits:

Temperature range (EPDM)	-10 °C a +121 °C	14 °F a 250 °F
SIP temperature, max. 30 min.	140°C	284°F
Maximum working pressure	10 bar	145 PSI
Maximum opening pressure	6 bar	87 PSI
Minimum working pressure	Vacuum	Vacuum
Compressed air pressure	6-8 bar	87-116 PSI



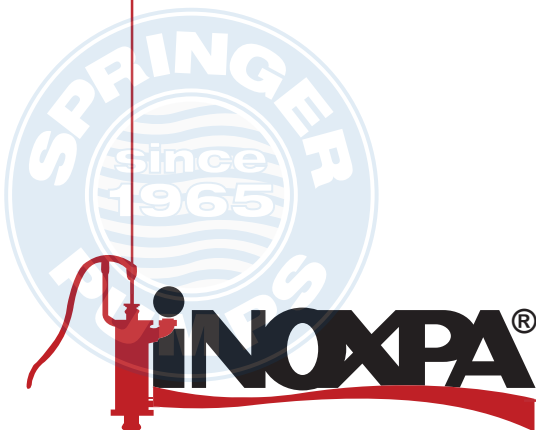
Open valve



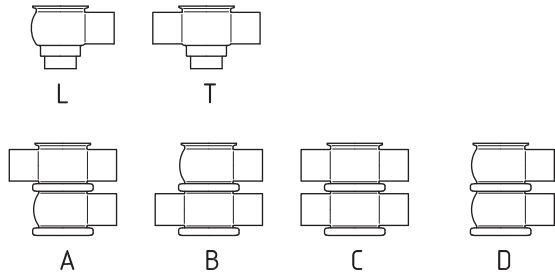
Closed valve

I Options

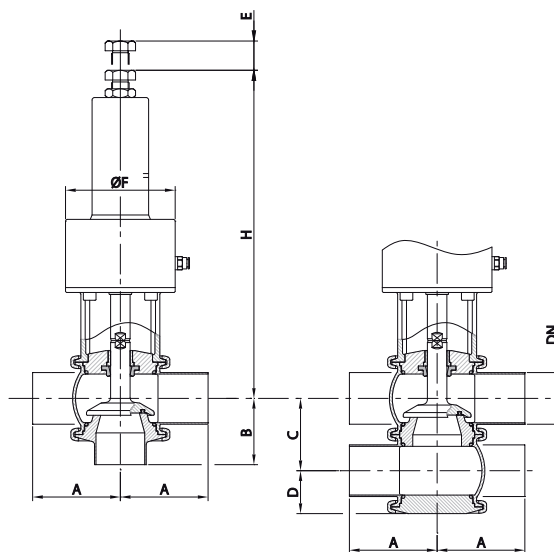
Gaskets: HNBR or FPM.
 Other connection types.
 Opening pressure range: from 6 to 10 bar for sizes DN 25, 40 and 50.
 External position sensors.
 Internal surface finish: $Ra \leq 0,5 \mu m$.
 Jacketed body.
 Steam barrier.



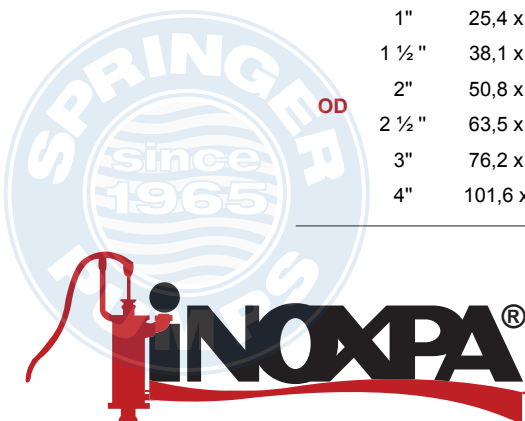
I Housing combinations



I Dimensions



	DN	Pipe Ø	A	B	C	D	E	Ø F	H	kg
DIN	25	29,0 x 1,50	50	50	50	32	35	87	284	4
	40	41,0 x 1,50	85	60	62	38	35	87	295	5
	50	53,0 x 1,50	90	68	74	44	35	112	329	7,5
	65	70,0 x 2,00	110	81	92	53	35	145	363	14
	80	85,0 x 2,00	125	90	107	60	35	145	371	15
	100	104 x 2,00	150	125	127	70	35	145	383	20
OD	1"	25,4 x 1,65	50	50	46	30	35	87	282	4
	1 ½"	38,1 x 1,65	85	60	59	36	35	87	293	5
	2"	50,8 x 1,65	90	68	72	43	35	112	327	7,5
	2 ½"	63,5 x 1,65	110	81	86	50	35	145	360	14
	3"	76,2 x 1,65	125	90	99	56	35	145	367	15
	4"	101,6 x 2,11	150	125	124	69	35	145	382	20



The information is for guidance only. We reserve the right to modify any material or feature without notice in advance. Photos are not binding. For further information, please, consult our web site. www.inoxpa.com