



**I Application**

The INNOVA K-type valve is a pneumatic divert seat valve designed for hygienic applications.

**I Design and features**

- Hygienic design according to EHEDG.
- Gasket with specific profile guarantees reliability under adverse working conditions.
- Hygienic design of the gasket ensures optimal cleaning.
- Single-acting pneumatic actuator.
- The valve can be changed to normally open (NO) by simply reversing the position of the pneumatic actuator.
- Easy assembly/disassembly of internal parts by loosening a clamp fastener.
- Open lantern allows visual inspection of shaft sealing.
- 360° adjustable body.
- The valve is authorized to carry 3-A symbol.
- Note: Consult the options of the valves authorized to carry 3-A symbol.



Standard Number 53-06

**I Technical specifications**

**Materials:**

Parts in contact with the product	AISI 316L (1.4404)
Other stainless steel parts	AISI 304 (1.4301)
Gasket	EPDM

**Surface finish:**

Internal	Bright polish Ra ≤ 0,8 µm
External	Matt

**Available sizes:**

DIN 11850	DN 25 - DN 100
ASME BPE	OD 1" - OD 4"

**Connections**

Weld

**Operating limits:**

Temperature range	-10 °C to+ 121 °C (EPDM)	14 °F to 250°F
	+140 °C (SIP, max. 30 min)	284 °F

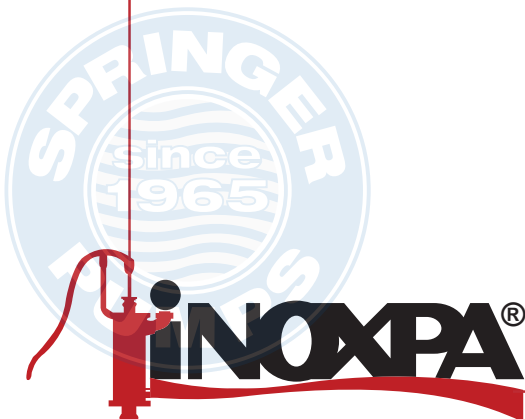
Maximum working pressure 10 bar 145 PSI

Minimum working pressure Vacuum

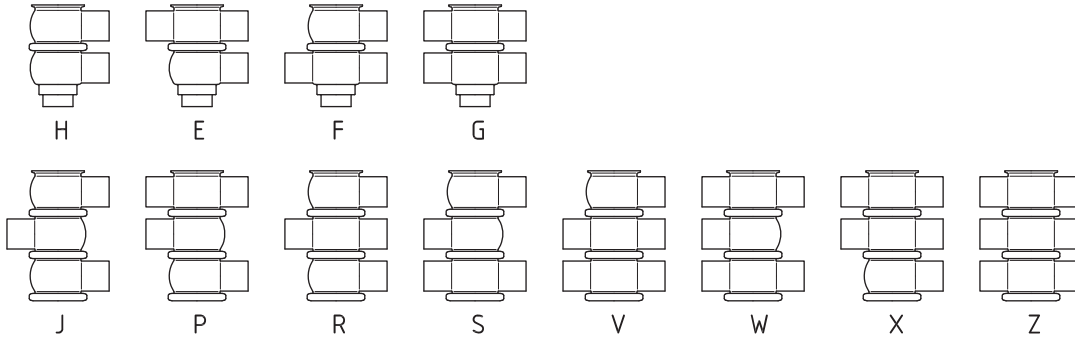
Compressed air pressure 6-8 bar 87-116 PSI

**I Options**

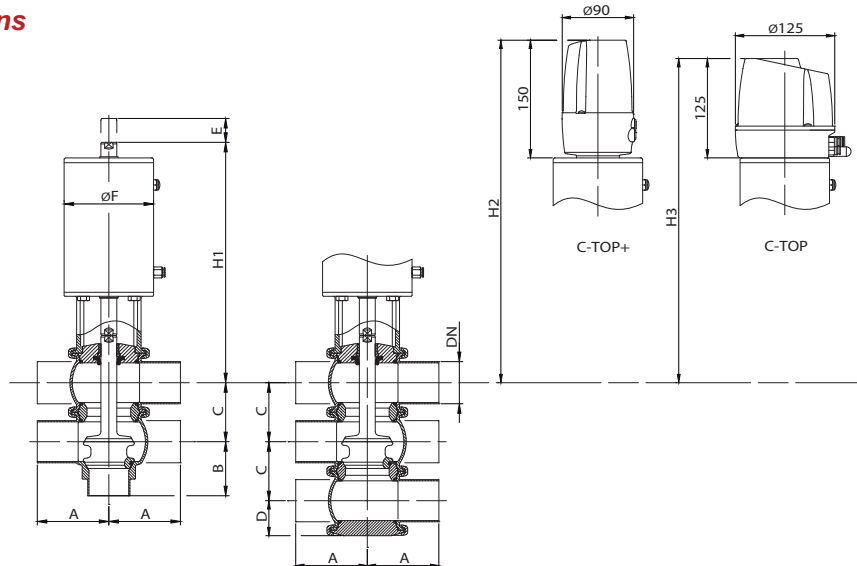
- Double-acting pneumatic actuator.
- Gaskets: FPM, HNBR.
- Other connection types.
- Control unit: C-TOP and C-TOP+.
- External position sensors.
- Surface finish: Ra ≤ 0,5 µm.



I Housing combinations

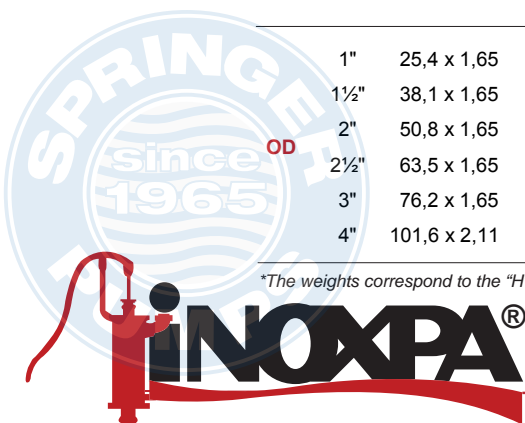


I Dimensions



	DN	Pipe Ø	A	B	C	D	E	Ø F	H <sub>1</sub>	H <sub>2</sub>	H <sub>3</sub>	kg
DIN	25	29 x 1,5	50	50	50	32	18	87	230	367	342	5,2
	40	41 x 1,5	85	60	62	38	20	87	240	377	352	6,6
	50	53 x 1,5	90	68	74	44	26	112	302	433	408	11
	65	70 x 2,0	110	81	92	53	29	143	348	485	460	19
	80	85 x 2,0	125	90	107	60	27	143	355	492	467	22
	100	104 x 2,0	150	125	127	70	29	216	382	516	491	39
OD	1"	25,4 x 1,65	50	50	46	30	14	87	236	369	344	5,2
	1½"	38,1 x 1,65	85	60	59	36	17	87	245	379	354	6,6
	2"	50,8 x 1,65	90	68	72	43	23	112	306	434	409	11
	2½"	63,5 x 1,65	110	81	86	50	23	143	356	488	463	19
	3"	76,2 x 1,65	125	90	99	56	19	143	367	496	471	22
	4"	101,6 x 2,11	150	125	124	69	26	216	386	517	492	39

\*The weights correspond to the "H" housing combination.



The information is for guidance only. We reserve the right to modify any material or feature without notice in advance. Photos are not binding. For further information, please, consult our web site. [www.inoxpa.com](http://www.inoxpa.com)

# Divert Single Seat Valve

# INNOVA K

Maximum pressure in bar / PSI without leakage at the valve seat.

Actuator/valve body combination and direction of pressure	Air pressure	Plug position	OD 1" DN 25	OD 1½" DN 40	OD 2" DN 50	OD 2½" DN 65	OD 3" DN 80	OD 4" DN 100
	[bar] / [PSI]		[bar] / [PSI]					
	-	NC	10 / 145	5,7 / 82	5,1 / 74	5,1 / 74	4,4 / 64	4,7 / 68
	6 / 87	NC	10 / 145	7,4 / 107	4,5 / 65	5,6 / 81	4,7 / 68	10 / 145
	-	NO	10 / 145	6 / 87	6,1 / 89	6,3 / 91	5,3 / 77	5,6 / 81
	6 / 87	NO	10 / 145	8,2 / 119	5,6 / 81	5,9 / 85	5,2 / 76	10 / 145
	6 / 87	A/A	10 / 145	10 / 145	10 / 145	10 / 145	10 / 145	10 / 145
	6 / 87	A/A	10 / 145	10 / 145	10 / 145	10 / 145	10 / 145	10 / 145

Maximum pressure in bar / PSI against which the valve can open.

Actuator/valve body combination and direction of pressure	Air pressure	Plug position	OD 1" DN 25	OD 1½" DN 40	OD 2" DN 50	OD 2½" DN 65	OD 3" DN 80	OD 4" DN 100
	[bar] / [PSI]		[bar] / [PSI]					
	-	NC	10 / 145	7,9 / 115	10 / 145	9 / 131	7,6 / 110	7,7 / 111
	6 / 87	NC	10 / 145	10 / 145	10 / 145	8,6 / 125	7,7 / 111	10 / 145
	-	NO	10 / 145	7,1 / 102	10 / 145	8,3 / 121	7,1 / 102	5,4 / 78
	6 / 87	NO	10 / 145	9,1 / 132	9,7 / 141	8,4 / 121	7 / 102	10 / 145

A = Air

P = Product pressure

NC = Normally closed

NO = Normally open

A/A = Double acting

Note: Values valid for standard actuators.

For other pressures, bigger actuators can be assembled.



The information is for guidance only. We reserve the right to modify any material or feature without notice in advance. Photos are not binding. For further information, please, consult our web site. [www.inoxpa.com](http://www.inoxpa.com)