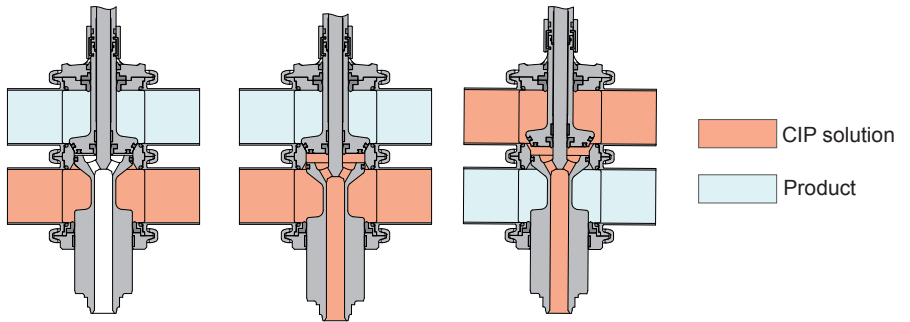




I Application

The INNOVA P-type valve is a pneumatic shut-off double seat valve for hygienic applications. The leakage chamber, under atmospheric pressure, situated between the two seats ensures a safe interface between the two liquids, one of which is usually a CIP solution (cleaning agent).

The leakage chamber can be cleaned by independent lifting of the seats during the CIP cleaning of the line.



I Design and features

- Hygienic design according to EHEDG.
- No leakage during the opening/closing of the valve.
- Balanced lower seat.
- Single-acting pneumatic actuator.
- Easy assembly/disassembly of internal parts by loosening a clamp fastener.
- Open lantern allows visual inspection of shaft sealing.
- 360° adjustable body.



I Technical specifications

Materials:	
Parts in contact with the product	Stainless steel AISI 316L (1.4404)
Other stainless steel parts	Stainless steel AISI 304 (1.4301)
Gasket	EPDM (according to FDA and EC 1935/2004)
Surface finish:	
Internal	Bright polish $Ra \leq 0,8 \mu m$
External	Matt
Available sizes:	
DIN 11850	DN 40 - DN 100
ASME BPE	OD 1½" - OD 4"
Connections	Weld
Operating limits:	
Temperature range	-10 °C to+ 121 °C (EPDM) 14 °F to 250°F
	+140 °C (SIP, max. 30 min) 284 °F
Maximum working pressure	10 bar 145 PSI
Minimum working pressure	Vacuum
Compressed air pressure	6-8 bar 87-116 PSI



SOURCE OF SOLUTIONS

Tel: 866-777-6060
Fax: 866-777-6383

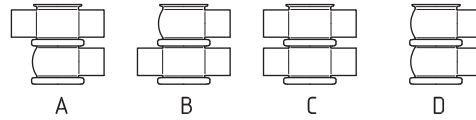
Springer Pumps, LLC

Website: www.springerpumps.com
Int'l: +001 267 404 2910

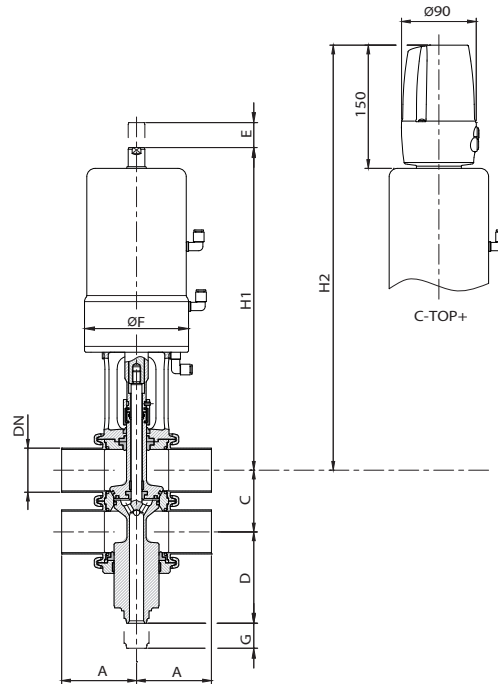
I Options

Gaskets: FPM, HNBR.
 Other connection types.
 C-TOP+ control unit.
 External position sensors.
 Internal surface finish: Ra ≤ 0,5 µm.

I Housing combinations

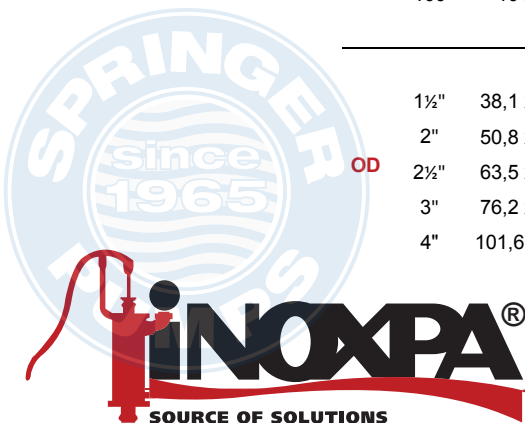


I Dimensions



DN	Pipe Ø	A	C	D	Ø F	E	G	H ₁	H ₂
40	41 x 1,5	85	62	86	125	22	7	382	507
50	53 x 1,5	90	74	104	125	30	7	388	513
DIN 65	70 x 2	110	92	141	161	34	9	471	587
80	85 x 2	125	107	140	161	36	9	464	588
100	104 x 2	150	127	175	193	52	10	528	649

1½"	38,1 x 1,65	85	59	88	125	22	7	383	505
2"	50,8 x 1,65	90	72	118	125	30	7	383	505
2½"	63,5 x 1,65	110	86	143	161	34	9	474	584
3"	76,2 x 1,65	125	99	144	161	36	9	468	584
4"	101,6 x 2,11	150	124	176	193	52	10	530	648



The information is for guidance only. We reserve the right to modify any material or feature without notice in advance. Photos are not binding. For further information, please, consult our web site. www.inoxpa.com