



I Application

The Estampinox EFI pump is a stainless steel centrifugal pump ideal for the transfer of water and other low viscosity liquids. It is designed to cater for the needs of auxiliary services in the food-processing, chemical, pharmaceutical and wine-making industries.

I Design and features

Estampinox EFI is a range of close-coupled centrifugal pumps.

It is made of a cold-formed stainless steel casing, open impeller manufactured with stainless steel cold-formed plate or investment casting (according to model), mechanical seal, pump cover, lantern and shaft. Estampinox EFI centrifugal pump is provided with an internal single mechanical seal.

I Technical specifications

Materials:

Parts in contact with the product	Stainless steel AISI 316L (1.4404)
Other steel parts	Stainless steel AISI 304 (1.4301)
Gaskets in contact with the product	EPDM

Mechanical seal:

Rotary part	Ceramic (Cer)
Stationary part	Carbon (C)
Gaskets	EPDM

Surface finish:

Matt

Connections:

Threaded connection (ISO 7)

Operating limits:

Maximum working pressure	6 bar	87 PSI
Temperature range	-10°C to +90 °C	14 °F to 194 °F
Maximum flow	65 m ³ /h	286 US GPM
Maximum differential head	42 m	138 ft
Maximum speed	3500 rpm	

I Motor

Triphasic induction motor with B34 flange (B35 for motor frame 132), in compliance with the IEC standards, 2 poles = 3000/3600 rpm, efficiency class according to EC regulation, IP 55 protection and F-class insulation.

3 phases, 50 Hz, 230 V Δ / 400 V Y, ≤ 4 kW
 3 phases, 50 Hz, 400 V Δ / 690 V Y, ≥ 5,5 kW

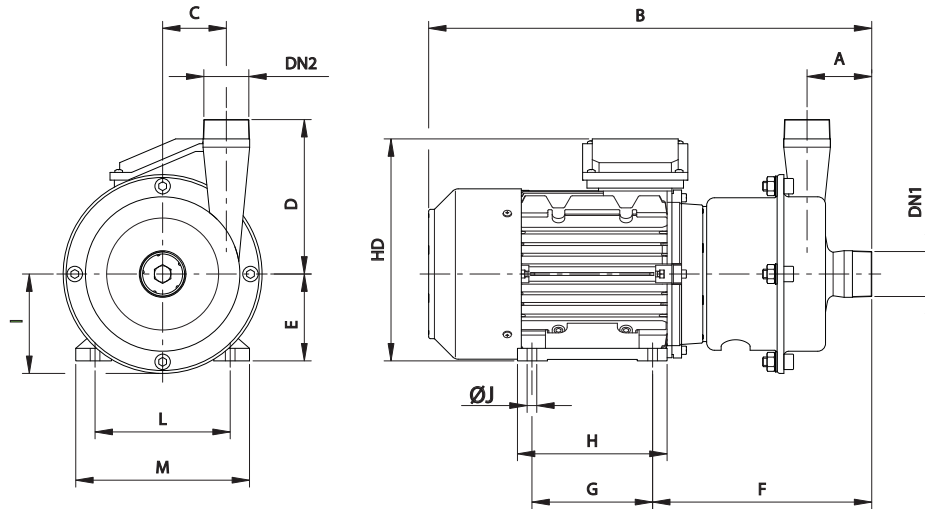
Estampinox EFI centrifugal pump with shroud



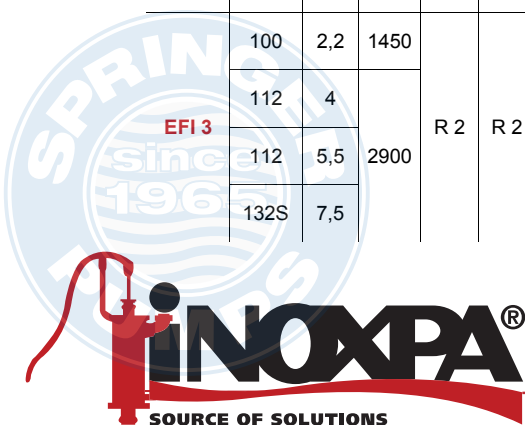
I Options

- AISI 304 stainless steel motor shroud.
- Other materials for mechanical seals and gaskets.
- Different types of connections.
- Motor with other voltages, frequencies, mechanical protections and efficiencies.
- Trolley and/or control panel.

I Dimensions Estampinox EFI

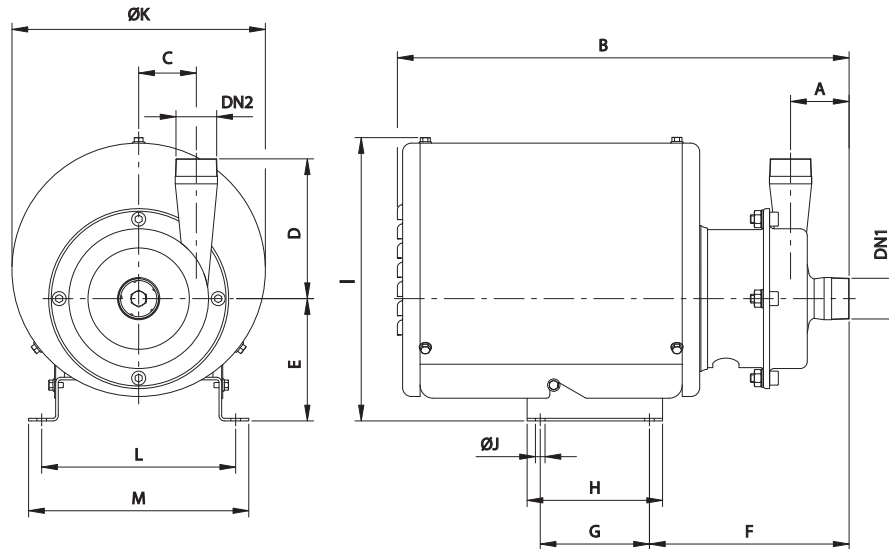


Pump	Motor	kW	rpm	DN1	DN2	A	B	C	D	E	F	G	H	HD	I	ØJ	L	M	kg
EFI 0	71	0,25	1450	R 1	R 3/4	60	370	36	100	71	193	90	110	190	73	7	112	137	7
	71	0,37	2900			71				193	90	110	190	73	7	112	137	8	
EFI 1	80	0,55	1450	R 1 1/2	R 1	64	405	48	110	80	204	100	125	220	86	9	125	160	12
	80	0,75	2900			80				204	100	125	220	86	9	125	160	13	
EFI 2	90S	1,1	1450	R 1 1/2	R 1 1/2	67	450	66	160	90	227	100	130	240	103	10	140	175	19
	90L	2,2	2900			90				227	125	155	240	103	10	140	175	21	
EFI 3	100	2,2	1450	R 2	R 2	70	520	92	192	100	251	140	180	265	128	12	160	200	32
	112	4	2900			112				258	140	180	295	128	12	190	230	37	
	112	5,5				112				258	140	180	295	128	12	190	230	41	
	132S	7,5				132				300	140	180	335	150	12	216	255	67	

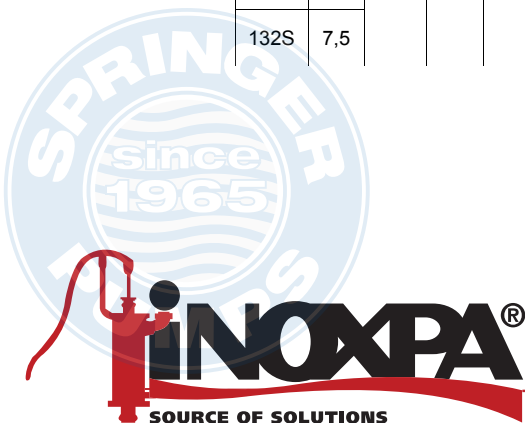


The information is for guidance only. We reserve the right to modify any material or feature without notice in advance. Photos are not binding. For further information, please, consult our web site. www.inoxpa.com

I Dimensions Estampinox EFI with shroud



Pump	Motor	kW	rpm	DN1	DN2	A	B	C	D	E	F	G	H	I	ØJ	ØK	L	M	kg
EFI 0	71	0,25	1450	R 1	R 3/4	60	430	36	100	115	195	90	110	260	7	230	182	202	11
	71	0,37	2900			430	115			195	90	110	260	7	230	182	202	11	
EFI 1	80	0,55	1450	R 1 1/2	R 1	64	500	48	110	130	206	125	155	314	11	290	222	252	17
	80	0,75	2900			500	130			206	125	155	314	11	290	222	252	18	
EFI 2	90S	1,1	1450	R 1 1/2	R 1 1/2	67	517	66	160	140	229	125	155	334	11	290	222	252	24
	90L	2,2	2900			517	140			229	125	155	334	11	290	222	252	26	
EFI 3	100	2,2	1450	R 2	R 2	70	600	92	192	160	253	140	170	375	13	350	278	308	39
	112	4	600			172	260			140	170	388	13	350	278	308	44		
	112	5,5	2900			600	172			260	140	170	388	13	350	278	308	48	
	132S	7,5	730			192	302			178	214	425	13	400	317	347	78		

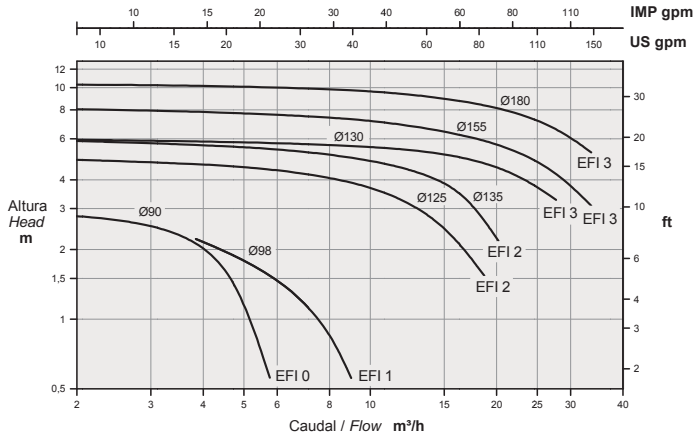


The information is for guidance only. We reserve the right to modify any material or feature without notice in advance. Photos are not binding. For further information, please, consult our web site. www.inoxpa.com

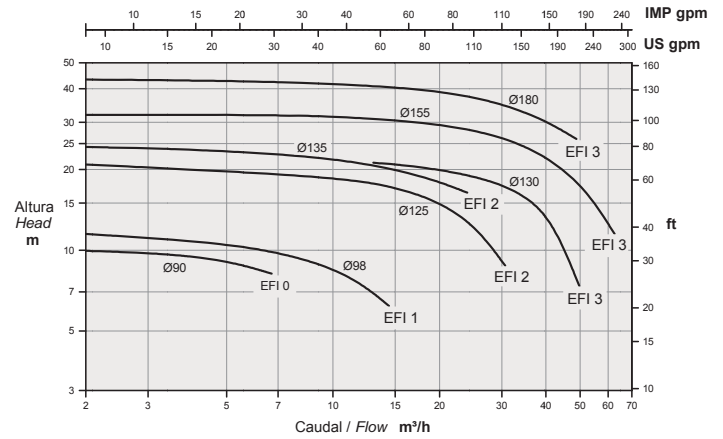
Performance charts

50 Hz

1450 rpm

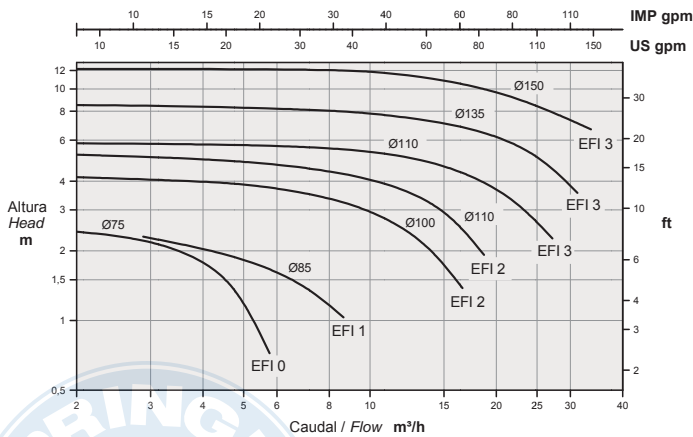


2900 rpm

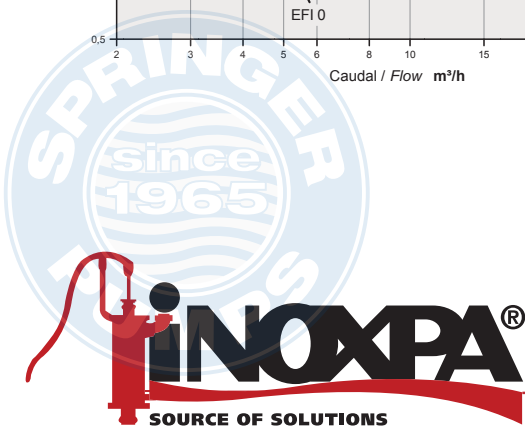
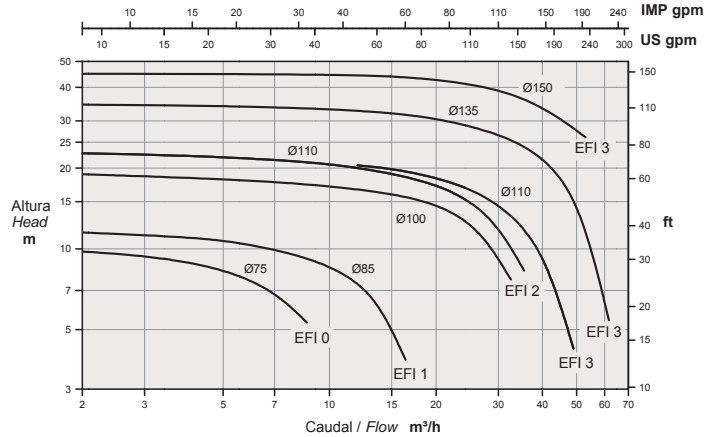


60 Hz

1750 rpm



3500 rpm



The information is for guidance only. We reserve the right to modify any material or feature without notice in advance. Photos are not binding. For further information, please, consult our web site. www.inoxpa.com