

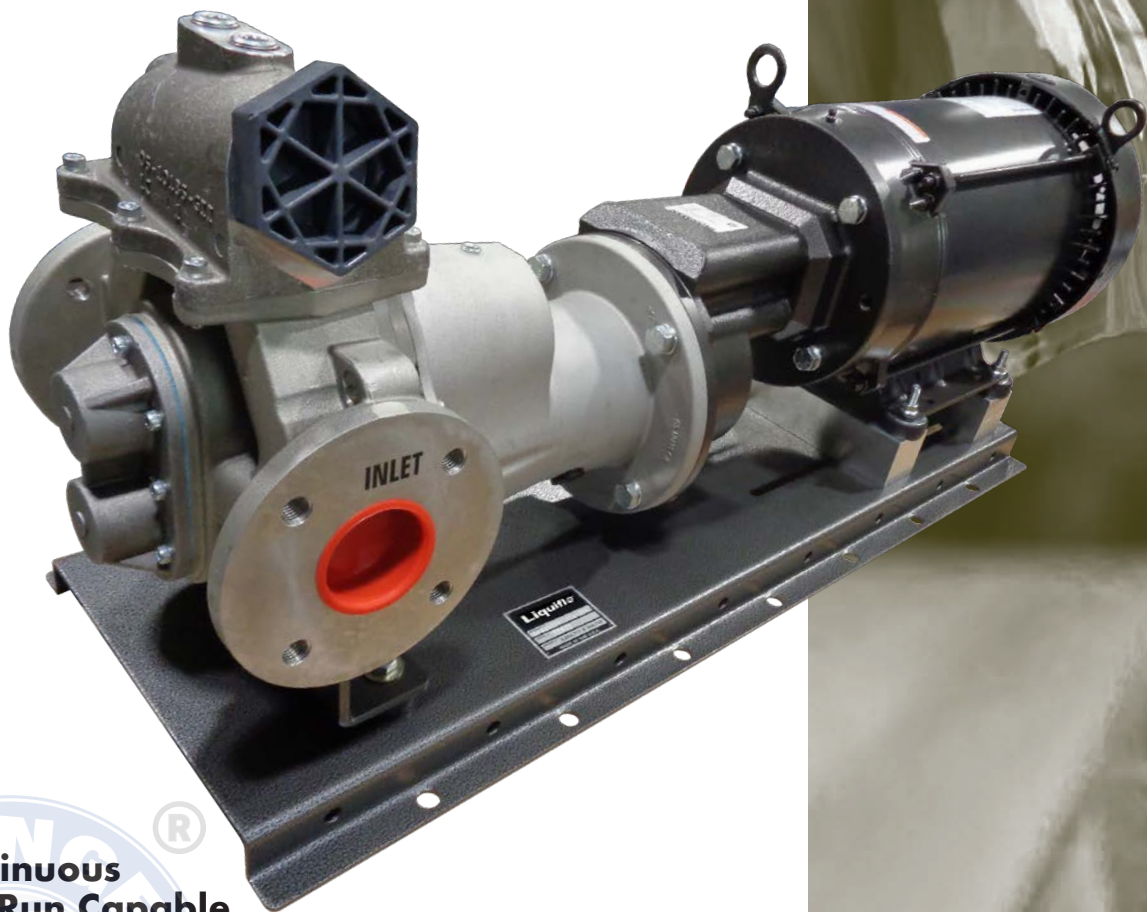


FTS150 & FTS200

FTS-Series Positive Displacement Pumps

Fluid Transfer Solutions

- ▶ **FTS150** - 1.5" • Flow Rates up to 105 GPM
- ▶ **FTS200** - 2" • Flow Rates up to 180 GPM



- 
- ▶ **Continuous Dry-Run Capable**
 - ▶ **Self-Priming and High Suction Lift**
 - ▶ **Stationary & Mobile Applications**
 - ▶ **Reversible Flow**

IMPROVED PERFORMANCE FOR LONGER LIFE

**High-performance 1.5" & 2" fluid transfer pumps
for stationary and portable applications**

Copyright © 2020 Liquiflo, Inc.
All rights reserved. 06-2020

A Look Inside Advanced Fluid Transfer

Liquiflo's **FTS-Series** pumps are designed and engineered to outperform the competition by providing unparalleled dry-run performance, ease of maintenance, and reduced downtime. Our pumps and systems are used in a variety of industries including agriculture, petroleum and petrochemical to mining, marine and industrial, and can handle a wide range of fluids, including diesel fuel, motor oil, antifreeze, aviation fuels, gasoline, gear lubes, chemicals, glycol and more.

The **FTS-Series** can reliably process your fluid transfer needs.

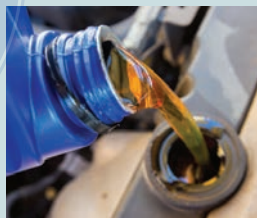


Liquiflo®

FLUIDS



Crude Oils



Lubricants



Petroleum Contact
and Salt Waters



Diesel and
Biodiesel Fuels



Gasoline

TOUGH, EASILY TRANSPORTABLE, AND READY TO USE

Liquiflo's **FTS-Series Fluid Transfer Pumps** are high-performance positive displacement transfer pumps built for a variety of industrial applications, capable of transferring a wide range of fluids; up to 180 GPM [680 LPM] at 150 PSI (552 kPa).

FTS-Series Fluid Transfer Pump Skids can be equipped with accessories such as custody transfer meters, hoses, nozzles, drop-pipes, hose reels, and control centers. They are also available in mobile configurations for ease of transport and mobility.

1 Mechanical Bypass

- Full-flow pathways minimize damage to shear-sensitive fluids
- Available in multiple pressure settings – 20, 50, 75, and 100 PSI
- Bi-Directional Flow - Just reverse the bypass and shaft rotation

1 ...

2 Tri-lobe Rotors

- Efficient design maximizes fluid transfer rate, enabling the pump to run dry without sustaining damage

2 ...

3 Spring-loaded Blades

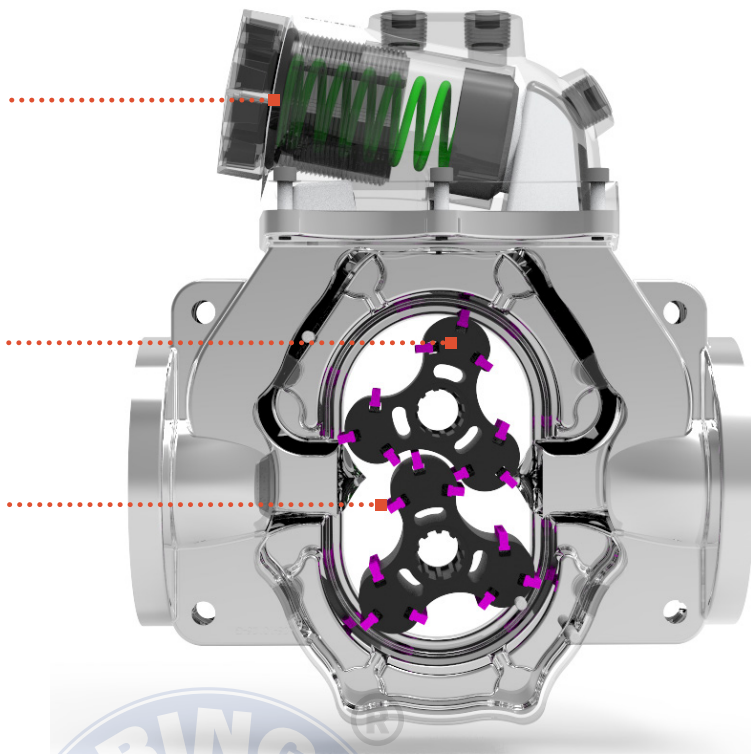
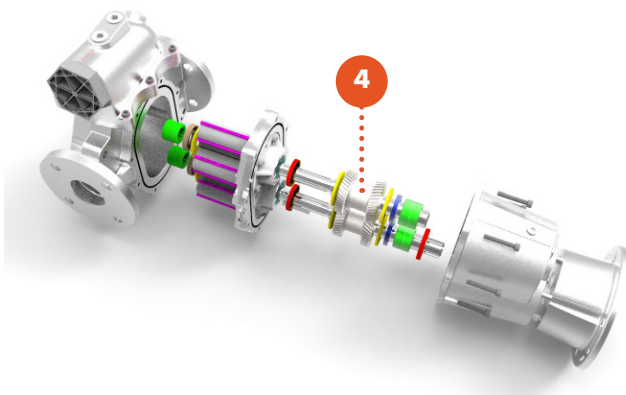
- Spring-loaded wiper blades ensure a tight seal with pump body developing high volumetric efficiency and enabling high suction lift

3 ...

4 Herringbone Timing Gears

- Timing gears prevent rotor to rotor contact
- High contact ratios ensure smooth, reliable operation
- Liquiflo uses herringbone gears which have high-torque carrying capability and eliminate thrust loads common in helical gears

FTS-Series • 1.5" & 2" Pump Models



THE FEATURES YOU NEED, THE PERFORMANCE YOU REQUIRE

Dry-run Capability

Pump runs dry without any damage.

Self-priming

Don't prime it!...just turn it on. Unlike other positive displacement pumps, our pumps don't need to be primed.

Tri-lobed Vanes

The innovative and patented Tri-lobe vanes reduce energy consumption, noise, and friction while increasing flow and efficiency. Each lobe in our Tri-lobe design is packed with three spring-loaded vanes for maximum vacuum and flow performance.

Reversible Full-flow Bypass

Reversible full-flow bypass design allows full circulation of the product in the pump chamber when it is in bypass mode.

MULTIPLE POWER OPTIONS

Engine-driven System

Our engine-driven pump skids provide the ultimate performance in remote locations. Speed control on these units allows for a wide range of flows.

Air Motor System

Designed for heavy-duty applications where high air volumes are required. This model is the perfect alternative for applications currently using air-operated double diaphragm pumps that are less dependable and expensive to repair.

Hydraulic Motor System

Our hydraulic motor-driven transfer skids are designed for truck mounted applications. Flow control and easy installation makes these models an attractive solution.

TRANSFER



Aviation Fuels



Truck



Railcar



Tank to Tank

FTS-Series Fluid Transfer Systems



Flow

20 to 180 GPM
(75 to 680 LPM)



Pressure

0 to 150 PSID
(0 to 10.3 bar)



Viscosity

<0.5 to 3,000 cSt
(<20 to 14,500 SSU)



Temperature

-20°F to 250°F
(-28°C to 120°C)

FTS-Series Portable Pumping Systems



Mobile Filtration Unit

Provides superior filtration and polishing of fuels and lubes to ensure dependable operation and maintenance of construction and mining equipment and large vehicles.



Tank Cleaning Unit

Designed for easy transport to move quickly from tank to tank. This unit is the most efficient way to clean out debris, sludge and grime from the floor and walls of the tank.



Metered Transfer Skid

For remote and difficult to access locations, our mobile pumping station is suited for a number of transfer applications where physical or electrical access is limited.

Copyright © 2020 Liquiflo, Inc.
All rights reserved. 06-2020

Liquiflo

tel. **908.518.0777**
fax. **908.518.1847**
sales@liquiflo.com

443 North Ave
Garwood
New Jersey
07027
USA

Since 1972,
Liquiflo pumps
have handled
thousands
of process
fluids.