

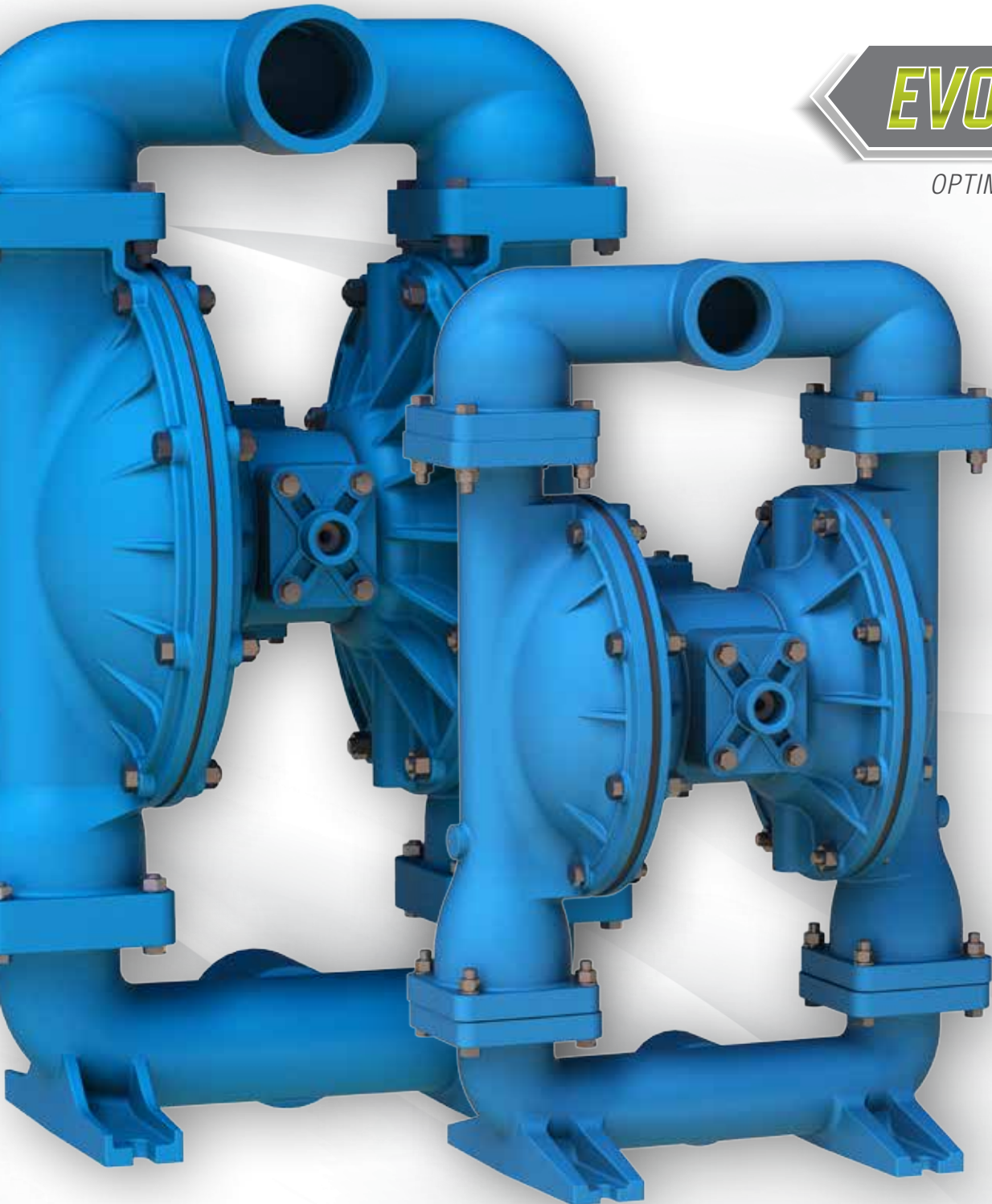
THE BEST

JUST GOT BETTER

2" & 3" STANDARD DUTY METALLIC AODD PUMPS

EVOLUTION

OPTIMIZED PERFORMANCE



IBEX

SANDPIPER[®]
A WARREN RUPP, INC. BRAND | SANDPIPERPUMP.COM

STANDARD DUTY BALL VALVE PUMPS

PERFORMANCE & SPECIFICATIONS

S20 & S30 BENEFITS:

SANDPIPER's unique combination of best in class max flow rates and lowest air consumption makes them the most efficient and economical pumps available.

MAX FLOW RATE: The S20 is the world leader in maximum flow rate with up to 32% higher capacity, allowing you to get your work done faster.

AIR CONSUMPTION: The S30 requires up to 56% less air to operate, reducing the load on your compressed air system and lowering operating costs.

AIR ECONOMY: SANDPIPER's Metallic Standard Duty pumps provide up to 2.5 times more gallons out for every cubic foot of air supplied.

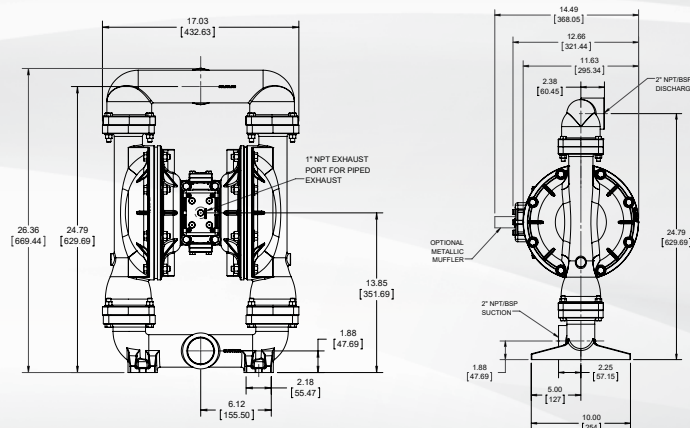
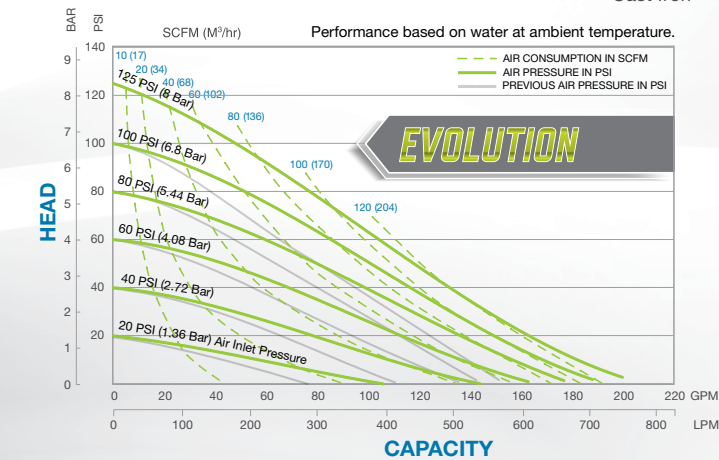
ANNUAL SAVINGS: **SANDPIPER'S Metallic Standard Duty pumps can save you up to \$3,543 in annual operating cost.

2" S20 METALLIC



50MM

| MAX FLOW | PORTING | AIR END | WET END |
|-------------------|--------------------------------|----------|--|
| 198 GPM (750 LPM) | NPT / BSP ANSI / DIN Flange | Aluminum | Aluminum Stainless Steel Cast Iron |



S20 & S30 FEATURES:

SERVICEABILITY: The Air Distribution System (ADS) is one of the most frequently serviced parts of any AODD pump. Only SANDPIPER's ESADS+ feature allows access to the complete ADS without removing the pump from service. Repair or clean in 5 minutes vs. 55 minutes for competitors.

TRUST IN SIMPLICITY: SANDPIPER'S original Air Distribution System (ADS) has been proven to stand the test of time. Our ADS is fully interchangeable, repairable and inline serviceable. Other manufacturers have frequently changed ADS designs creating issues with interchangeability, obsolete inventory and increased cost of ownership.

GUARANTEES:

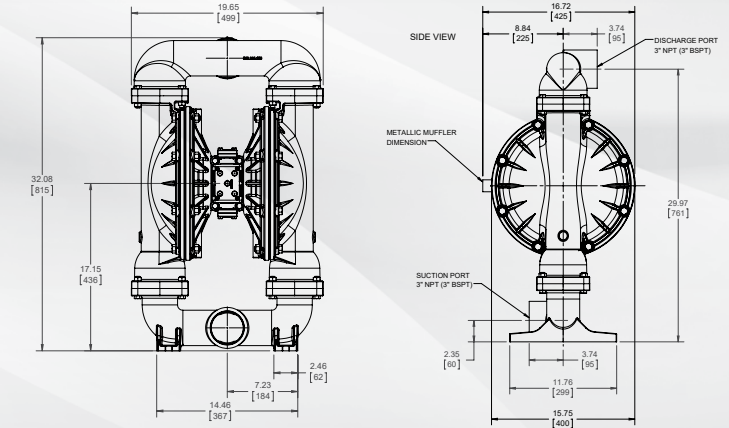
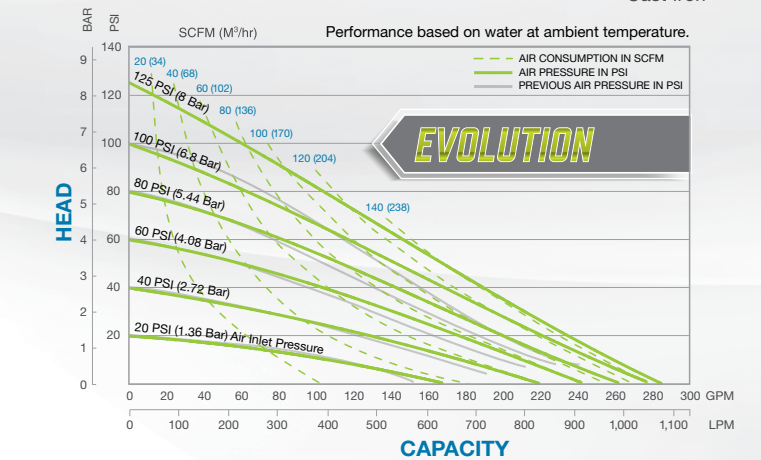
- Diaphragm Connecting Rod Guarantee
- 5 YEAR Limited Product Warranty
- Anti-Stall Air Valve Guarantee

3" S30 METALLIC



75MM

| MAX FLOW | PORTING | AIR END | WET END |
|---------------------|--------------------------------|----------|--|
| 285 GPM (1,078 LPM) | NPT / BSP ANSI / DIN Flange | Aluminum | Aluminum Stainless Steel Cast Iron |



What is
EVOLUTION ?

OPTIMIZED PERFORMANCE |

Optimized performance without sacrificing proven reliability. These pumps have undergone an engineering EVOLUTION, leveraging trusted and proven product designs to improve their performance by application of advanced engineering methods.

ENGINEERED PUMPING SOLUTIONS WITH MORE WAYS THAN ONE



S20 IS THE WORLD LEADER IN MAX FLOW

2" METALLIC STANDARD DUTY BALL VALVE PUMP VS. THE COMPETITION

| SANDPIPER ADVANTAGE | KEY CONSIDERATIONS | SANDPIPER S20 | WILDEN PS800 | ARO PD20 | GRACO Husky 2150 | YAMADA NDP-50 |
|--|---|---------------------------------------|---|--|------------------|---|
| Up to 32% higher Max Flow Rate | MAX Flow Rate (GPM / LPM) | 198 / 750 | 171 / 647 | 172 / 651 | 150 / 568 | 164 / 621 |
| Up to 59% less Air Consumption Up to 55% less Air Consumption | Air Consumption (SCFM / M³/hr) @150 GPM, 10 psi (@568 LPM, 0.7 BAR) @127 GPM, 20 psi* (@481 LPM, 1.4 BAR) | 69 / 117 67 / 114 | 93 / 158 72 / 122 | 150 / 255 110 / 187 | N/A 150 / 255 | 170 / 289 120 / 204 |
| Up to 2.5 times better | Air Economy (GPM ÷ SCFM) @150 GPM, 10 psi (@568 LPM, 0.7 BAR) @127 GPM, 20 psi* (@481 LPM, 1.4 BAR) | 2.2 1.9 | 1.6 1.8 | 1.0 1.2 | N/A 0.8 | 0.9 1.1 |
| Up to 65% less operating costs Up to 67% less operating costs | Annual Operating Cost (USD)** @150 GPM, 10 psi (@568 LPM, 0.7 BAR) @127 GPM, 20 psi* (@481 LPM, 1.4 BAR) | \$1,672 \$1,623 | \$2,696 \$1,857 | \$4,423 \$2,919 | N/A \$4,866 | \$4,842 \$3,026 |
| Eliminate complexity | Ease of Selection Inventory Control | One Simple, time tested Design | 13 Model Choices, 6 Air Valve Designs | Comparable | Comparable | Comparable |
| 5 minutes vs 55+ What could you do with that extra time? | Ease of Maintenance ADS - Pilot Valve Repair / Replace | 5 minutes | 55+ minutes, Non-Repairable Main Air Valve and Pilot Valve | 55+ minutes, Complex and challenging to maintain and repair | Comparable | 55+ minutes, Valve spool seals non-repairable |



S30 COSTS UP TO 67% LESS TO OPERATE

3" METALLIC STANDARD DUTY BALL VALVE PUMP VS. THE COMPETITION

| SANDPIPER ADVANTAGE | KEY CONSIDERATIONS | SANDPIPER S30 | WILDEN PS1500 | ARO PD30 | GRACO Husky 3300 | YAMADA NDP-80 |
|--|---|---------------------------------------|---|--|------------------------|---|
| Among the market leaders | MAX Flow Rate (GPM / LPM) | 285 / 1079 | 276 / 1045 | 275 / 1041 | 300 / 1136 | 215 / 814 |
| Up to 56% less Air Consumption Up to 47% less Air Consumption | Air Consumption (SCFM / M³/hr) @215 GPM, 10 psi (@814 LPM, 0.7 BAR) @188 GPM, 20 psi* (@712 LPM, 1.4 BAR) | 80 / 136 90 / 153 | 96 / 163 96 / 163 | 160 / 272 160 / 272 | 132 / 224 130 / 221 | 180 / 306 170 / 289 |
| Up to 2.2 times better | Air Economy (GPM ÷ SCFM) @215 GPM, 10 psi (@814 LPM, 0.7 BAR) @188 GPM, 20 psi* (@712 LPM, 1.4 BAR) | 2.7 2.1 | 2.2 2.0 | 1.3 1.2 | 1.6 1.4 | 1.2 1.1 |
| Up to 67% less operating costs Up to 53% less operating costs | Annual Operating Cost (USD)** @215 GPM, 10 psi (@814 LPM, 0.7 BAR) @188 GPM, 20 psi* (@712 LPM, 1.4 BAR) | \$1735 \$2144 | \$2476 \$2476 | \$4822 \$4691 | \$2204 \$2819 | \$5278 \$4542 |
| Eliminate complexity | Ease of Selection Inventory Control | One Simple, time tested Design | 13 Model Choices, 6 Air Valve Designs | Comparable | Comparable | Comparable |
| 5 minutes vs 55+ What could you do with that extra time? | Ease of Maintenance ADS - Pilot Valve Repair / Replace | 5 minutes | 55+ minutes, Non-Repairable Main Air Valve and Pilot Valve | 55+ minutes, Complex and challenging to maintain and repair | Comparable | 55+ minutes, Valve spool seals non-repairable |

SANDPIPER and its products are not affiliated with Wilden Pump and Engineering Company. Wilden® is a registered trademark of Wilden Pump and Engineering Company. ARO® is a registered trademark of Ingersoll-Rand Company. Graco is a registered trademark of Graco Inc. Yamada® is a registered trademark of Yamada Corporation. * Typical Conditions Sited By Wilden. ** Assumptions: 2080 hours of operation per year, 10 cents per kilowatt hour. *** Competitive pump data taken from manufacturer's published literature.

LEARN MORE AT: SANDPIPERPUMP.COM/EVOLUTION



Warren Rupp, Inc. | A Unit of IDEX Corporation
800 North Main Street, Mansfield, OH 44902 USA
Phone: 419.524.8388 | Fax: 419.522.7867
SANDPIPERPUMP.COM



Contact Your Local Distributor to Place Your Order:

