

SERVICE & OPERATING MANUAL

Original Instructions

Certified Quality



Quality System
ISO 9001 Certified



Environmental Management System
ISO 14001 Certified



Certified to CSA Technical Letter No. R-14



Certified to ANSI LC6-2008



Warren Rupp, Inc.
A Unit of IDEX Corporation
800 N. Main St.,
Mansfield, Ohio 44902 USA
Telephone 419.524.8388
Fax 419.522.7867
SANDPIPERPUMP.COM



© Copyright 2016 Warren Rupp, Inc.
All rights reserved

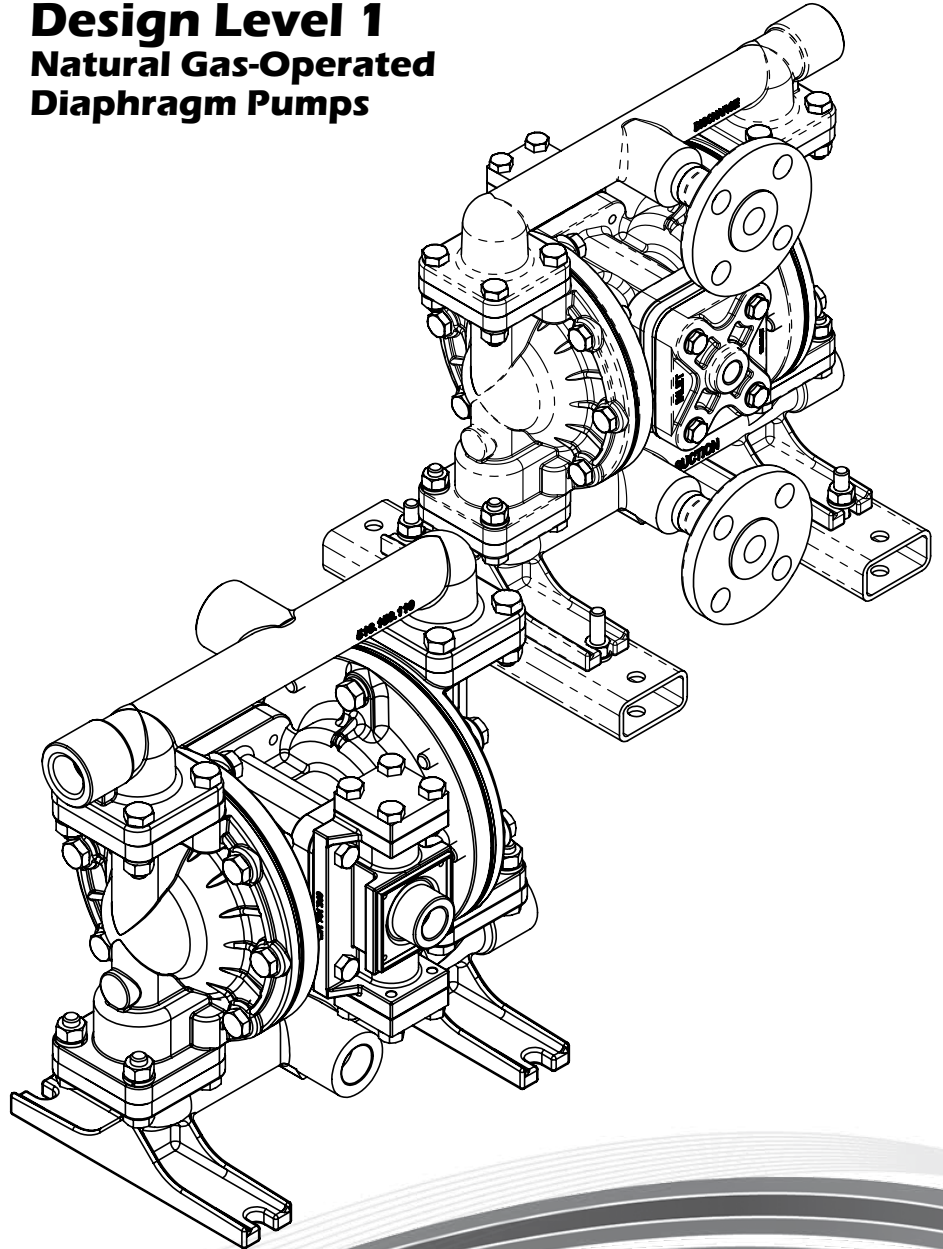
Model G05

Metallic

Design Level 1

Natural Gas-Operated

Diaphragm Pumps



1: PUMP SPECS

2: INSTAL & OP

3: EXP VIEW

4: GAS END

5: WET END

6: OPTIONAL

7: WARRANTY

SANDPIPER[®]
A WARREN RUPP, INC. BRAND
SANDPIPERPUMP.COM

Safety Information

⚠ IMPORTANT



Read the safety warnings and instructions in this manual before pump installation and start-up. Failure to comply with the recommendations stated in this manual could damage the pump and void factory warranty.



When the pump is used for materials that tend to settle out or solidify, the pump should be flushed after each use to prevent damage. In freezing temperatures the pump should be completely drained between uses.

⚠ CAUTION



Before pump operation, inspect all fasteners for loosening caused by gasket creep. Retighten loose fasteners to prevent leakage. Follow recommended torques stated in this manual.



Nonmetallic pumps and plastic components are not UV stabilized. Ultraviolet radiation can damage these parts and negatively affect material properties. Do not expose to UV light for extended periods of time.

⚠ WARNING



When used for toxic or aggressive fluids, the pump should always be flushed clean prior to disassembly.



Before maintenance or repair, shut off the compressed air line, bleed the pressure, and disconnect the air line from the pump. Be certain that approved eye protection and protective clothing are worn at all times. Failure to follow these recommendations may result in serious injury or death.



Airborne particles and loud noise hazards. Wear eye and ear protection.



In the event of diaphragm rupture, pumped material may enter the air end of the pump, and be discharged into the atmosphere. If pumping a product that is hazardous or toxic, the air exhaust must be piped to an appropriate area for safe containment.



Take action to prevent static sparking. Fire or explosion can result, especially when handling flammable liquids. The pump, piping, valves, containers and other miscellaneous equipment must be properly grounded.

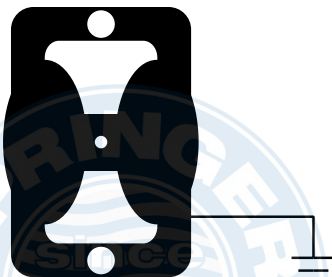


This pump is pressurized internally with air pressure during operation. Make certain that all fasteners are in good condition and are reinstalled properly during reassembly.



Use safe practices when lifting

Grounding ATEX Pumps



ATEX compliant pumps are suitable for use in explosive atmospheres when the equipment is properly grounded in accordance with local electrical codes. Pumps equipped with electrically conductive diaphragms are suitable for the transfer of conductive or non-conductive fluids of any explosion group. When operating pumps equipped with non-conductive diaphragms that exceed the maximum permissible projected area, as defined in EN 13461-1: 2009 section 6.7.5 table 9, the following protection methods must be applied:

- Equipment is always used to transfer electrically conductive fluids or
- Explosive environment is prevented from entering the internal portions of the pump, i.e. dry running

For further guidance on ATEX applications, please consult the factory.

Table of Contents

SECTION 1: PUMP SPECIFICATIONS.....1

- Explanation of Nomenclature
- Performance
- Materials
- Dimensional Drawings

SECTION 2: INSTALLATION & OPERATION.....6

- Principle of Pump Operation
- Recommended Installation Guide
- Troubleshooting Guide

SECTION 3: EXPLODED VIEW9

- Composite Repair Parts Drawing
- Composite Repair Parts List
- Material Codes

SECTION 4: GAS END12

- Aluminum Gas Valve Assembly
- Stainless Steel Gas Valve Assembly
- Pilot Valve Assembly
- Intermediate Assembly

SECTION 5: WET END15

- Diaphragm Drawings
- Diaphragm Servicing
- Pumping Hazardous Liquids

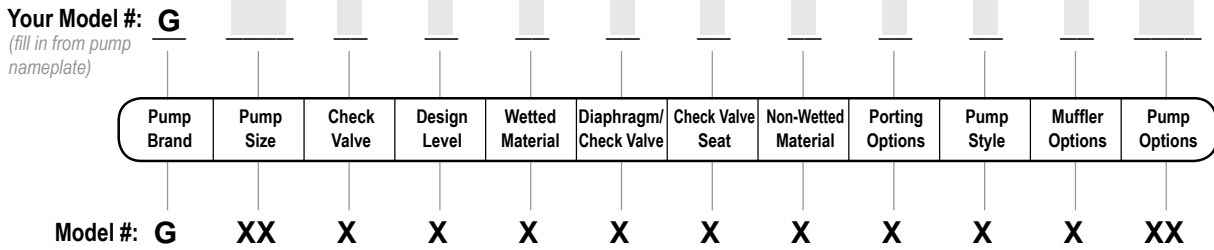
SECTION 7: WARRANTY & CERTIFICATES18

- Warranty
- CE Declaration of Conformity - Machinery
- ATEX Declaration of Conformity



Explanation of Pump Nomenclature

1: PUMP SPECS



- Pump Brand**
G Natural Gas Operated
- Pump Size**
05 1/2"
- Check Valve Type**
B Ball
- Design Level**
1 Design Level
- Wetted Material**
A Aluminum
S Stainless Steel

- Diaphragm/Check Valve Materials**
B Nitrile/Nitrile
T PTFE Overlay, Nitrile/ PTFE
5 Nitrile/PTFE

- Check Valve Seat**
T Virgin PTFE
A Aluminum
S Stainless Steel

- Non-Wetted Material Options**
A Painted Aluminum
X Unpainted Aluminum
0 Unpainted Aluminum/FKM Elastomers
V Painted Aluminum/ FKM Elastomers

- Porting Options**
N NPT Threads
B BSP (Tapered) Threads
R 150# Raised Face 1/2" ANSI Flange w/ Threaded Pipe Connections
W 150# Welded Raised Face 1/2" ANSI Flanged Manifolds

- Pump Style**
S Standard

- Muffler Options**
X No Muffler Permitted*

* Welded Raised Face Manifolds are available for models equipped with stainless steel wet end components

Your Serial #: (fill in from pump nameplate) _____

ATEX Detail

(1)  II 2G c T5
 II 2D c T100°C



Performance

G05 METALLIC

SUCTION/DISCHARGE PORT SIZE

- ½" NPT or ½" BSP Tapered (internal)
- 1" NPT or 1" BSP Tapered (external)
- ½" Raised Face 150# ANSI Flange (Stainless Steel Only)

CAPACITY

- 0 to 15 gallons per minute (0 to 56 liters per minute)

GAS DISTRIBUTION VALVE

- No-lube, no-stall design

SOLIDS-HANDLING

- Up to .125 in. (3mm)

HEADS UP TO

- 100 psi or 231 ft. of water (7 bar or 70 meters)

MAXIMUM OPERATING PRESSURE

- 100 psi (7 bar)

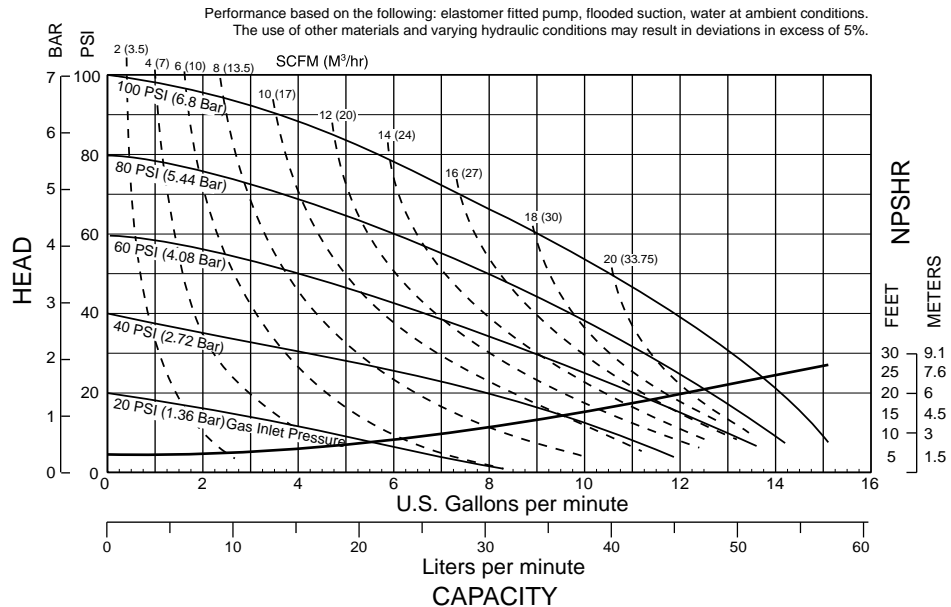
DISPLACEMENT/STROKE

- .026 Gallon / .098 liter

SHIPPING WEIGHT

- Aluminum 15 lbs. (7kg)
- Stainless Steel 21 lbs. (10kg)

These pump models are designed to pump the following fluids: Crude Oil, Salt Water, Drilling Mud, Condensate, Lubrication Oils, Glycol, Caustic Liquids, and Acids."



Exhaust Gas: The exhausted natural gas must be vented to a low pressure safe location in accordance with local fire safety and environmental codes, or in the absence of local codes, an industry or nationally recognized code having jurisdiction over the specific installations, and/or CAN/CGA B149, Installation Codes

Materials

Material Profile:	Operating Temperatures:	
	Max.	Min.
FKM: (Fluorocarbon) Shows good resistance to a wide range of oils and solvents; especially all aliphatic, aromatic and halogenated hydrocarbons, acids, animal and vegetable oils. Hot water or hot aqueous solutions (over 70°F(21°C)) will attack FKM.	350°F 177°C	-40°F -40°C
Nitrile: General purpose, oil-resistant. Shows good solvent, oil, water and hydraulic fluid resistance. Should not be used with highly polar solvents like acetone and MEK, ozone, chlorinated hydrocarbons and nitro hydrocarbons.	190°F 88°C	-10°F -23°C
Virgin PTFE: (PFA/TFE) Chemically inert, virtually impervious. Very few chemicals are known to chemically react with PTFE; molten alkali metals, turbulent liquid or gaseous fluorine and a few fluoro-chemicals such as chlorine trifluoride or oxygen difluoride which readily liberate free fluorine at elevated temperatures.	220°F 104°C	-35°F -37°C
Maximum and Minimum Temperatures are the limits for which these materials can be operated. Temperatures coupled with pressure affect the longevity of diaphragm pump components. Maximum life should not be expected at the extreme limits of the temperature ranges.		
Metals:		
Stainless Steel: Equal to or exceeding ASTM specification A743 CF-8M for corrosion resistant iron chromium, iron chromium nickel and nickel based alloy castings for general applications. Commonly referred to as 316 Stainless Steel in the pump industry.		

For specific applications, always consult the Chemical Resistance Chart.

- Ambient temperature range:** -20°C to +40°C
- Process temperature range:** -20°C to +80°C for models rated as category 1 equipment
-20°C to +100°C for models rated as category 2 equipment

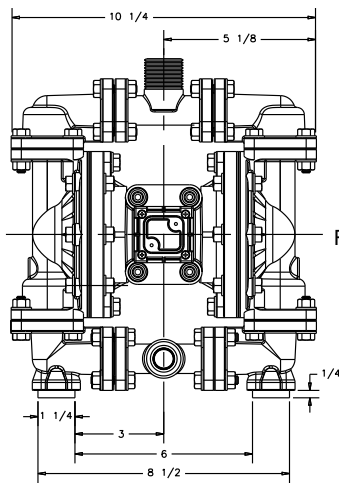
In addition, the ambient temperature range and the process temperature range do not exceed the operating temperature range of the applied non-metallic parts as listed in the manuals of the pumps.

Dimensional Drawings

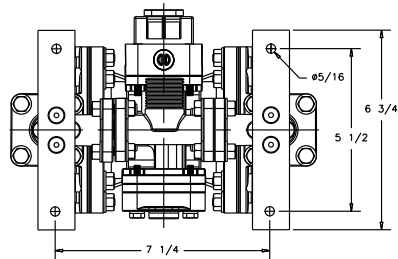
G05 Metallic - Aluminum

Dimensions in Inches. Dimensional Tolerance: $\pm 1/8"$

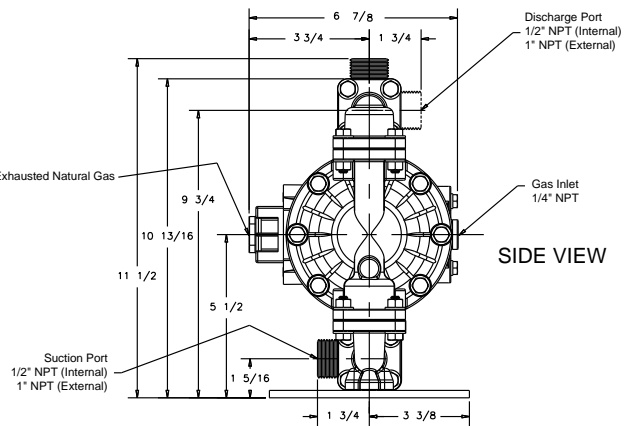
1: PUMP SPECS



FRONT VIEW



BOTTOM VIEW



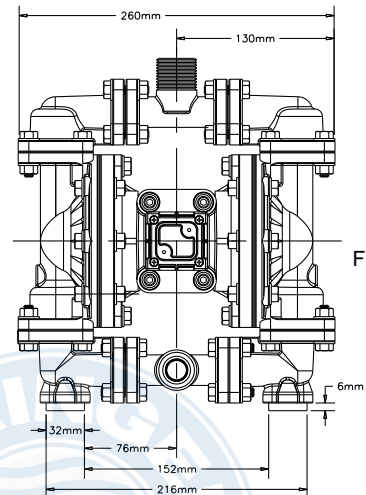
SIDE VIEW

Both Suction And Discharge Ports Are Available In
1/2" BSPT (Tapered Internal)
1" BSPT (Tapered External)

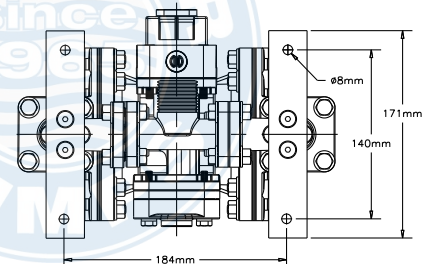
Note: The pump is to be mounted in a horizontal position

G05 Metallic - Aluminum

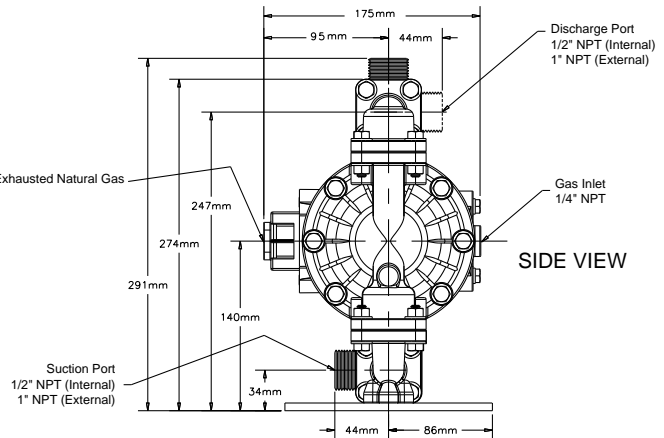
Dimensions in Millimeters. Dimensional Tolerance: $\pm 3\text{mm}$



FRONT VIEW



BOTTOM VIEW



SIDE VIEW

Both Suction and Discharge Ports Are Available In
1/2" BSPT (Tapered Internal)
1" BSPT (Tapered External)

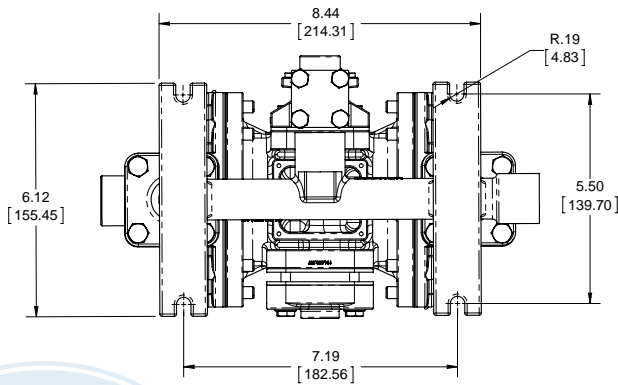
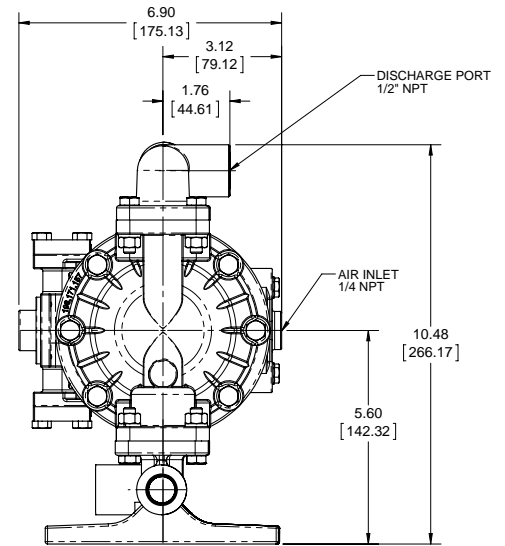
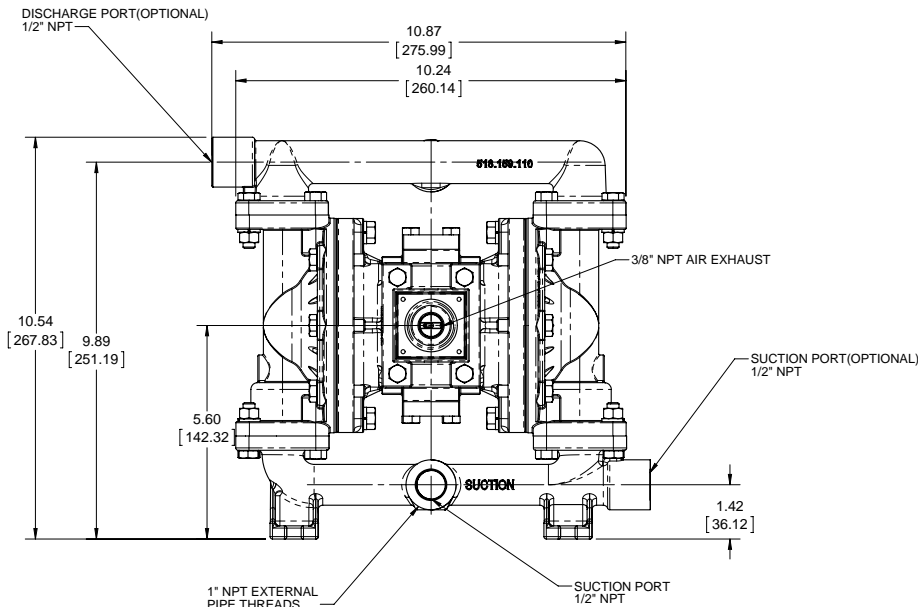
Note: The pump is to be mounted in a horizontal position

Dimensional Drawings

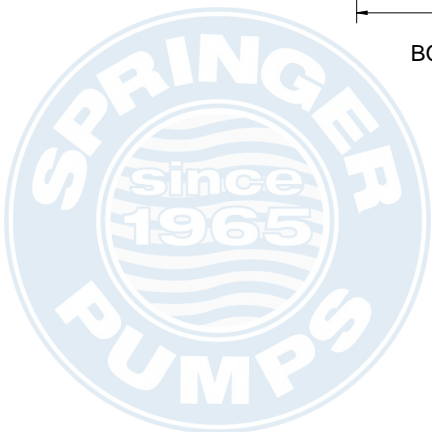
G05 Metallic - Stainless Steel NPT

Dimensions in inches (mm dimensions in brackets). Dimensional Tolerance: ±1/8" (± 3mm)

The dimensions on this drawing are for reference only. A certified drawing can be requested if physical dimensions are needed.



BOTTOM VIEW



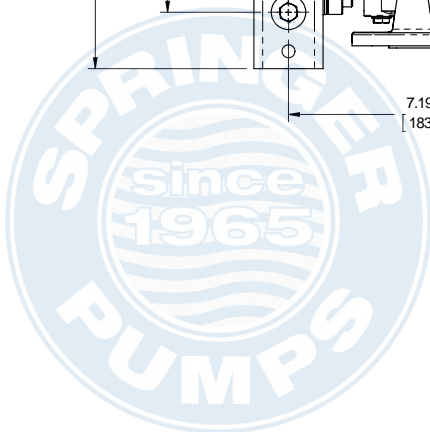
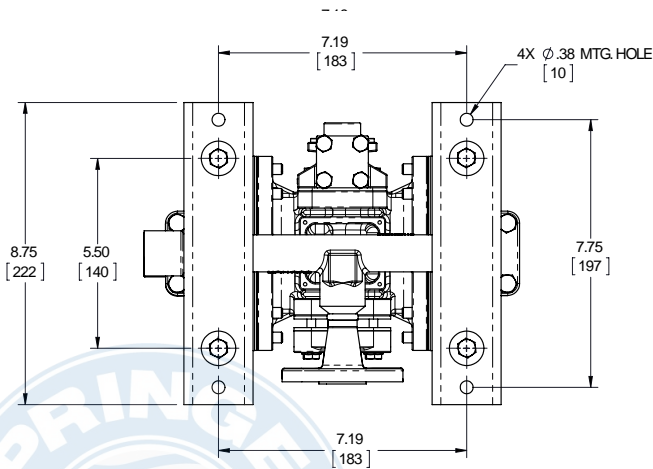
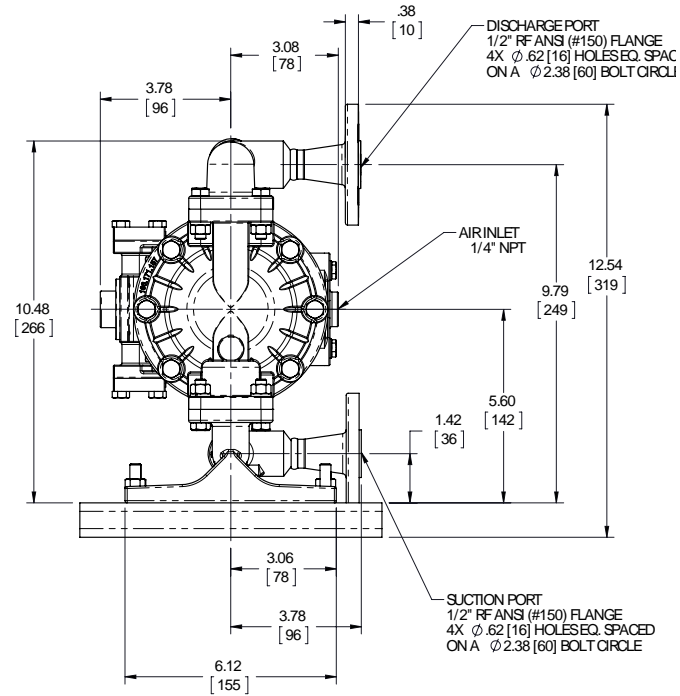
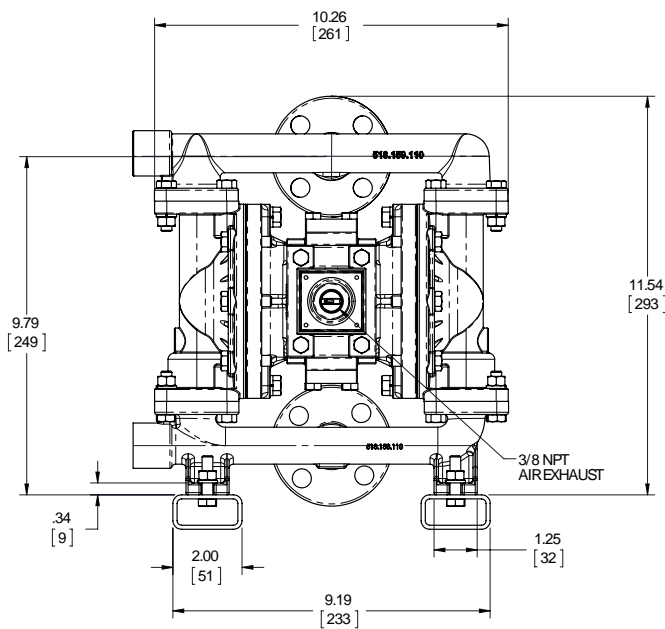
Dimensional Drawings

1: PUMP SPECS

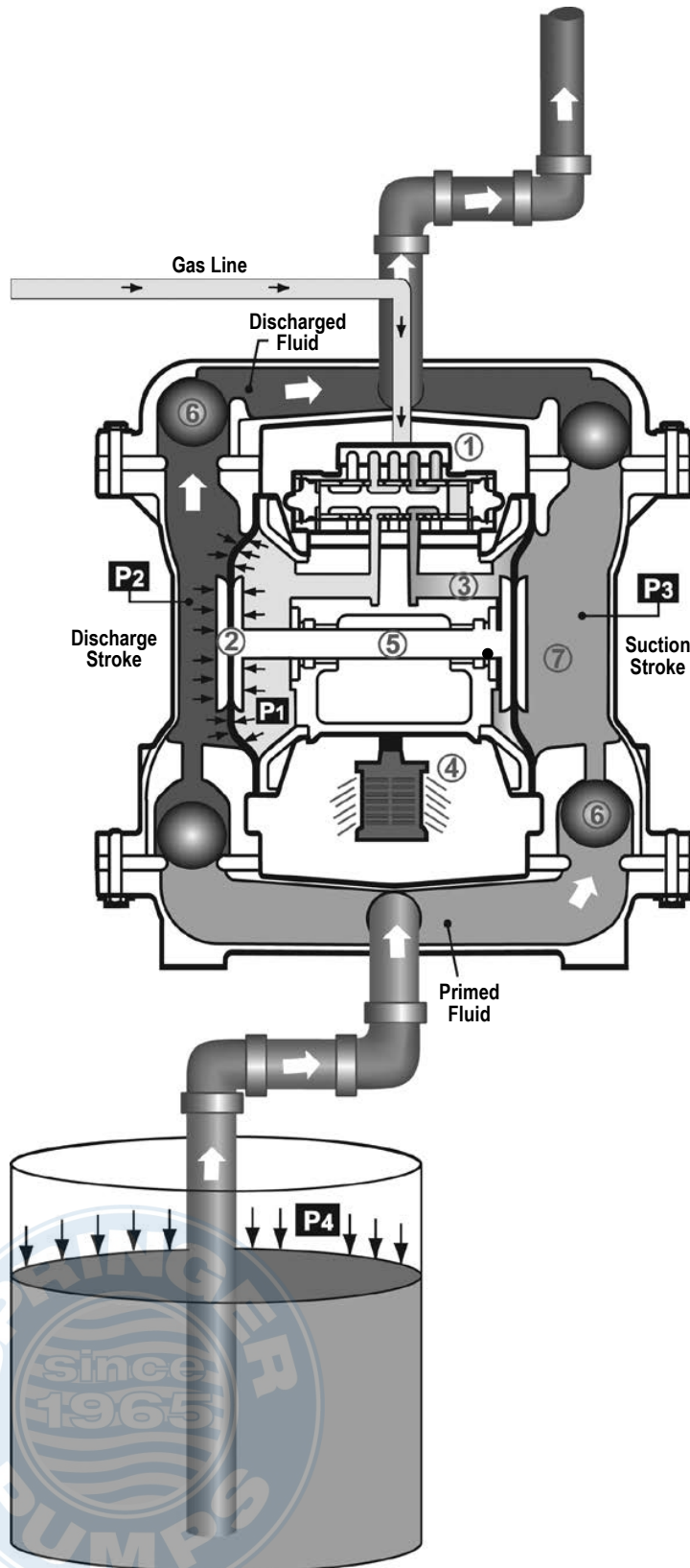
G05 Metallic - Stainless Steel ANSI Flange

Dimensions in inches (mm dimensions in brackets). Dimensional Tolerance: $\pm 1/8"$ ($\pm 3\text{mm}$)

The dimensions on this drawing are for reference only. A certified drawing can be requested if physical dimensions are needed.



Principle of Pump Operation



Gas-Operated Double Diaphragm pumps are powered by compressed gas, nitrogen or natural gas.

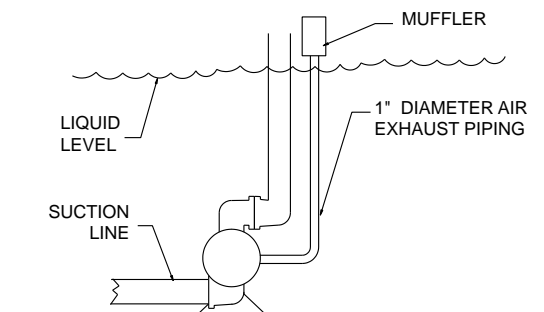
The main directional (gas) control valve ① distributes compressed gas to an gas chamber, exerting uniform pressure over the inner surface of the diaphragm ②. At the same time, the exhausting gas ③ from behind the opposite diaphragm is directed through the gas valve assembly(s) to an exhaust port ④.

As inner chamber pressure (P1) exceeds liquid chamber pressure (P2), the rod ⑤ connected diaphragms shift together creating discharge on one side and suction on the opposite side. The discharged and primed liquid's directions are controlled by the check valves (ball or flap)⑥ orientation.

The pump primes as a result of the suction stroke. The suction stroke lowers the chamber pressure (P3) increasing the chamber volume. This results in a pressure differential necessary for atmospheric pressure (P4) to push the fluid through the suction piping and across the suction side check valve and into the outer fluid chamber ⑦.

Suction (side) stroking also initiates the reciprocating (shifting, stroking or cycling) action of the pump. The suction diaphragm's movement is mechanically pulled through its stroke. The diaphragm's inner plate makes contact with an actuator plunger aligned to shift the pilot signaling valve. Once actuated, the pilot valve sends a pressure signal to the opposite end of the main directional gas valve, redirecting the compressed gas to the opposite inner chamber.

SUBMERGED ILLUSTRATION



Pump can be submerged if the pump materials of construction are compatible with the liquid being pumped. The gas exhaust must be piped above the liquid level. When the pumped product source is at a higher level than the pump (flooded suction condition), pipe the exhaust higher than the product source to prevent siphoning spills.

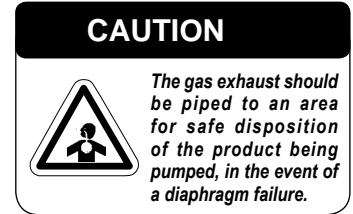
Recommended Installation Guide

Top Discharge Ball Valve Pump

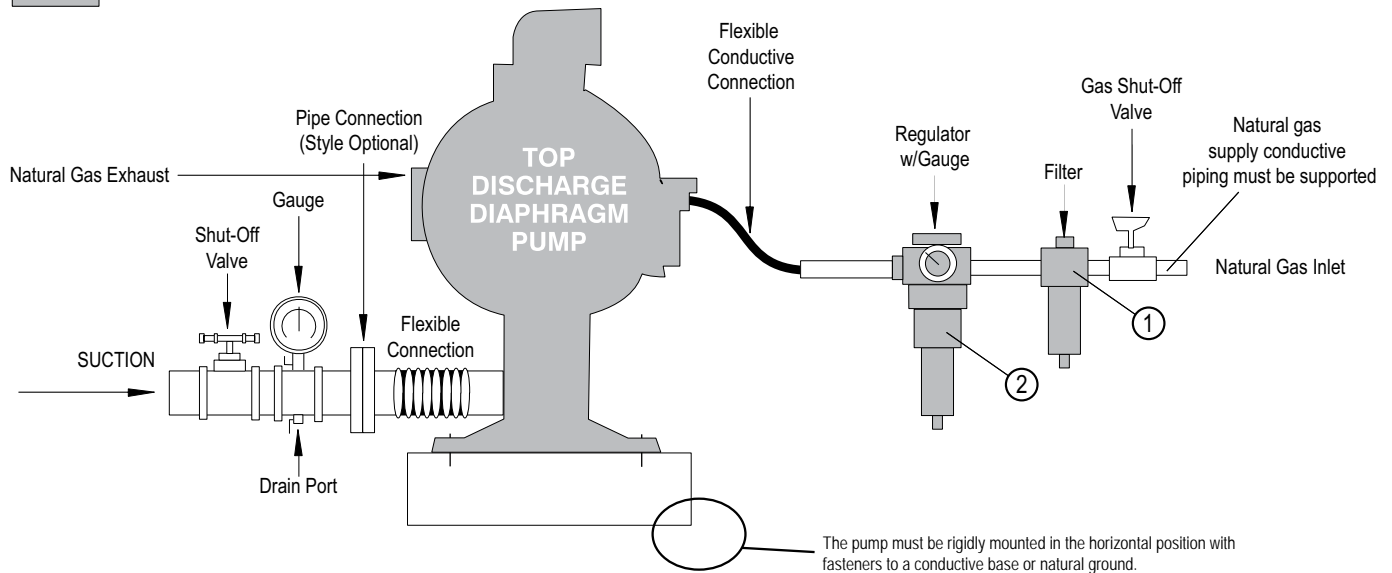
① **020.062.000 Filter**
VENTING WARNING: This filter is equipped with a stainless steel manual drain. The port is 1/8" NPT. When draining moisture from the filter, first shut off the natural gas supply.

② **020.057.000 REGULATOR WITH GAGE**
PRESSURE WARNING: This regulator is to be installed at point of use with the pump. The maximum gas supply is 400psi. Full line pressure needs to be regulated below 400psi prior to the regulator installation position.

VENTING WARNING: This regulator is equipped with a 1/4" NPT vent port. In the event of a diaphragm rupture, natural gas can be exhausted into the surrounding environment. Connect a conductive hose or pipe to the vent port to send the escaping natural gas to a safe area for gas reclamation. Make sure to ground the regulator, hose, and/or pipe.



Available from Warren Rupp



Installation And Start-Up

Locate the pump as close to the product being pumped as possible. Keep the suction line length and number of fittings to a minimum. Do not reduce the suction line diameter.

Gas Supply

Connect the pump gas inlet to an gas supply with sufficient capacity and pressure to achieve desired performance. A pressure regulating valve should be installed to insure gas supply pressure does not exceed recommended limits.

Gas Valve Lubrication

The gas distribution system is designed to operate WITHOUT lubrication. This is the standard mode of operation. If lubrication is desired, install an gas line lubricator set to deliver one drop of SAE 10 non-detergent oil for every 20 SCFM (9.4 liters/sec.) of gas the pump consumes. Consult the Performance Curve to determine gas consumption.

Gas Line Moisture

Water in the compressed gas supply may cause icing or freezing of the exhaust gas, causing the pump to cycle erratically or stop operating. Water in the gas supply can be reduced by using a point-of-use gas dryer.

Gas Inlet And Priming

To start the pump, slightly open the gas shut-off valve. After the pump primes, the gas valve can be opened to increase gas flow as desired. If opening the valve increases cycling rate, but does not increase the rate of flow, cavitation has occurred. The valve should be closed slightly to obtain the most efficient gas flow to pump flow ratio.

Troubleshooting Guide

Symptom:	Potential Cause(s):	Recommendation(s):
Pump Cycles Once	Deadhead (system pressure meets or exceeds gas supply pressure).	Increase the inlet gas pressure to the pump. Pump is designed for 1:1 pressure ratio at zero flow. (Does not apply to high pressure 2:1 units).
	Gas valve or intermediate gaskets installed incorrectly.	Install gaskets with holes properly aligned.
	Bent or missing actuator plunger.	Remove pilot valve and inspect actuator plungers.
Pump Will Not Operate / Cycle	Pump is over lubricated.	Set lubricator on lowest possible setting or remove. Units are designed for lube free operation.
	Lack of gas (line size, PSI, CFM).	Check the gas line size and length, compressor capacity (HP vs. cfm required).
	Check gas distribution system.	Disassemble and inspect main gas distribution valve, pilot valve and pilot valve actuators.
	Discharge line is blocked or clogged manifolds.	Check for inadvertently closed discharge line valves. Clean discharge manifolds/piping.
	Deadhead (system pressure meets or exceeds gas supply pressure).	Increase the inlet gas pressure to the pump. Pump is designed for 1:1 pressure ratio at zero flow. (Does not apply to high pressure 2:1 units).
	Blocked gas exhaust muffler.	Remove muffler screen, clean or de-ice, and re-install.
	Pumped fluid in gas exhaust muffler.	Disassemble pump chambers. Inspect for diaphragm rupture or loose diaphragm plate assembly.
Pump Cycles and Will Not Prime or No Flow	Pump chamber is blocked.	Disassemble and inspect wetted chambers. Remove or flush any obstructions.
	Cavitation on suction side.	Check suction condition (move pump closer to product).
	Check valve obstructed. Valve ball(s) not seating properly or sticking.	Disassemble the wet end of the pump and manually dislodge obstruction in the check valve pocket. Clean out around valve ball cage and valve seat area. Replace valve ball or valve seat if damaged. Use heavier valve ball material.
	Valve ball(s) missing (pushed into chamber or manifold).	Worn valve ball or valve seat. Worn fingers in valve ball cage (replace part). Check Chemical Resistance Guide for compatibility.
	Valve ball(s) / seat(s) damaged or attacked by product.	Check Chemical Resistance Guide for compatibility.
	Check valve and/or seat is worn or needs adjusting.	Inspect check valves and seats for wear and proper setting. Replace if necessary.
	Suction line is blocked.	Remove or flush obstruction. Check and clear all suction screens or strainers.
	Excessive suction lift.	For lifts exceeding 20' of liquid, filling the chambers with liquid will prime the pump in most cases.
	Suction side gas leakage or gas in product.	Visually inspect all suction-side gaskets and pipe connections.
	Pumped fluid in gas exhaust muffler.	Disassemble pump chambers. Inspect for diaphragm rupture or loose diaphragm plate assembly.
Pump Cycles Running Sluggish / Stalling, Flow Unsatisfactory	Over lubrication.	Set lubricator on lowest possible setting or remove. Units are designed for lube free operation.
	Icing.	Remove muffler screen, de-ice, and re-install. Install a point of use gas drier.
	Clogged manifolds.	Clean manifolds to allow proper gas flow.
	Deadhead (system pressure meets or exceeds gas supply pressure).	Increase the inlet gas pressure to the pump. Pump is designed for 1:1 pressure ratio at zero flow. (Does not apply to high pressure 2:1 units).
	Cavitation on suction side.	Check suction (move pump closer to product).
	Lack of gas (line size, PSI, CFM).	Check the gas line size, length, compressor capacity.
	Excessive suction lift.	For lifts exceeding 20' of liquid, filling the chambers with liquid will prime the pump in most cases.
	Gas supply pressure or volume exceeds system hd.	Decrease inlet gas (press. and vol.) to the pump. Pump is cavitating the fluid by fast cycling.
	Undersized suction line.	Meet or exceed pump connections.
	Restrictive or undersized gas line.	Install a larger gas line and connection.
	Suction side gas leakage or gas in product.	Visually inspect all suction-side gaskets and pipe connections.
	Suction line is blocked.	Remove or flush obstruction. Check and clear all suction screens or strainers.
	Pumped fluid in gas exhaust muffler.	Disassemble pump chambers. Inspect for diaphragm rupture or loose diaphragm plate assembly.
	Check valve obstructed.	Disassemble the wet end of the pump and manually dislodge obstruction in the check valve pocket.
	Check valve and/or seat is worn or needs adjusting.	Inspect check valves and seats for wear and proper setting. Replace if necessary.
Product Leaking Through Exhaust	Entrained gas or vapor lock in chamber(s).	Purge chambers through tapped chamber vent plugs. Purging the chambers of gas can be dangerous.
	Diaphragm failure, or diaphragm plates loose.	Replace diaphragms, check for damage and ensure diaphragm plates are tight.
Premature Diaphragm Failure	Diaphragm stretched around center hole or bolt holes.	Check for excessive inlet pressure or gas pressure. Consult Chemical Resistance Chart for compatibility with products, cleaners, temperature limitations and lubrication.
	Cavitation.	Enlarge pipe diameter on suction side of pump.
	Excessive flooded suction pressure.	Move pump closer to product. Raise pump/place pump on top of tank to reduce inlet pressure. Install Back pressure device (Tech bulletin 41r). Add accumulation tank or pulsation dampener.
	Misapplication (chemical/physical incompatibility).	Consult Chemical Resistance Chart for compatibility with products, cleaners, temperature limitations and lubrication.
Unbalanced Cycling	Incorrect diaphragm plates or plates on backwards, installed incorrectly or worn.	Check Operating Manual to check for correct part and installation. Ensure outer plates have not been worn to a sharp edge.
	Excessive suction lift.	For lifts exceeding 20' of liquid, filling the chambers with liquid will prime the pump in most cases.
	Undersized suction line.	Meet or exceed pump connections.
	Pumped fluid in gas exhaust muffler.	Disassemble pump chambers. Inspect for diaphragm rupture or loose diaphragm plate assembly.
	Suction side gas leakage or gas in product.	Visually inspect all suction-side gaskets and pipe connections.
	Check valve obstructed.	Disassemble the wet end of the pump and manually dislodge obstruction in the check valve pocket.
	Check valve and/or seat is worn or needs adjusting.	Inspect check valves and seats for wear and proper setting. Replace if necessary.
Product Leaking Through Exhaust	Diaphragm stretched around center hole or bolt holes.	Check for excessive inlet pressure or gas pressure. Consult Chemical Resistance Chart for compatibility with products, cleaners, temperature limitations and lubrication.

For additional troubleshooting tips contact After Sales Support at service.warrenrupp@idexcorp.com or 419-524-8388



SANDPIPERPUMP.COM

g05mdl1sm-rev0915

Model G05 Metallic • 8

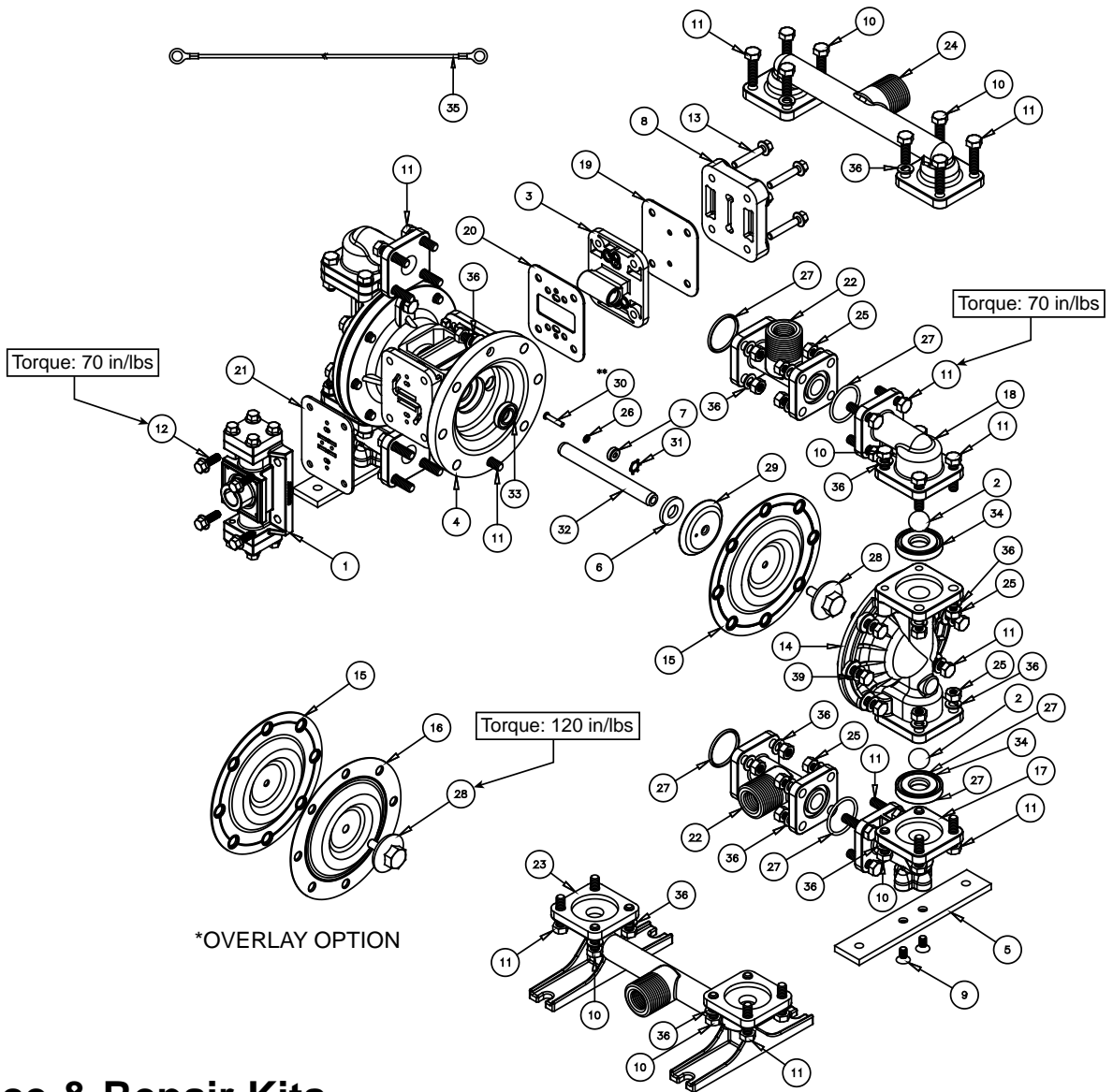
Tel: 866-777-6060
Fax: 866-777-6383

Springer Pumps, LLC
Sandpiper Maintenance Videos: <https://goo.gl/Vn9Gdt>

www.springerpumps.com
Int'l: +001 267 404 2910

Composite Repair Parts Drawing

3: EXP VIEW



Service & Repair Kits

- 476.237.000 Gas End Kit**
Seals, O-Rings, Gaskets, Bumpers, Retaining Rings, Valve Assembly and Pilot Valve Assembly
- 476.237.363 Gas End Kit**
FKM Seals, O-Rings, Gaskets, Bumpers, Retaining Rings, Valve Assembly and Pilot Valve Assembly
- 476.238.360 Wetted End Kit**
Nitrile Diaphragms, Nitrile Check Balls and PTFE Seats
- 476.238.649 Wetted End Kit**
Nitrile Diaphragm, PTFE Overlay Diaphragm, PTFE Check Balls and PTFE Seats
- 476.238.672 Wetted End Kit**
Nitrile Diaphragms, PTFE Check Balls, PTFE Seats

- 476.318.000 Gas End Wear Kit**
Nitrile O-rings, Bumpers and Seals
- 476.318.363 Gas End Wear Kit**
FKM O-rings, Bumpers, and Seals
- 474.095.360 Wet End Wear Kit**
Nitrile Diaphragms
- 474.096.600 Wet End Wear Kit**
Nitrile Backer Diaphragms PTFE Overlay Diaphragms

Composite Repair Parts List

Item	Part Number	Description	Qty.	Item	Part Number	Description	Qty.
①	031-174-000	Gas Valve Assembly	1	25	545-004-330	Nut, Hex Flanged 5/16-18 (Alum)	24
	031-174-363	Gas Valve Assembly	1		545-004-330	Nut, Hex Flanged 5/16-18 (SS)	8
②	050-022-600	Ball, Check	4	②⑥	560-001-360	O-Ring	2
	050-027-360	Ball, Check	4		560-001-363	O-Ring	2
③	095-116-000	Pilot Valve Assembly	1	②⑦	560-083-360	O-Ring (Aluminum Manifold)	4
	095-116-363	Pilot Valve Assembly	1		560-083-360	O-Ring (Metallic Seats Only)	8
4	114-023-157	Intermediate Bracket	1		560-083-611	O-Ring (Metallic Seats Only)	8
5	115-152-151	Bracket, Mounting (Aluminum)	2		720-064-600	Seal (Aluminum Manifold)	4
⑥	132-034-360	Bumper, Diaphragm	2	28	612-091-110	Plate, Outer Diaphragm	2
	132-034-363	Bumper, Diaphragm	2		612-091-157	Plate, Outer Diaphragm	2
⑦	135-036-506	Bushing, Plunger	2	29	612-177-330	Plate, Inner Diaphragm	2
8	165-110-157	Cap, Gas Inlet	1	③⑩	620-019-115	Pin, Actuator	2
9	171-017-330	Capscrew, Flat Socket Head 1/4-20 X .50 (Aluminum)	4	③①	675-042-115	Ring, Retaining	1
10	170-044-330	Capscrew, Hex 5/16-18 X 1.00	8	32	685-056-120	Rod, Diaphragm	2
11	170-045-330	Capscrew, Hex 5/16-18 X 1.25 (Alum)	40	③③	720-012-360	Seal, U-Cup Shaft	4
	170-045-330	Capscrew, Hex 5/16-18 X 1.25 (SS)	24		720-012-363	Seal, U-Cup Shaft	4
12	171-076-330	Capscrew, Flanged 1/4-20 X .75	4	③④	722-094-600	Seat, Check Valve	4
13	171-077-330	Capscrew, Flanged 1/4-20 X 1.50	4		722-094-150	Seat, Check Valve (see item 27 must use 8)	4
14	196-171-110	Chamber, Outer	2		722-094-110	Seat, Check Valve (see item 27 must use 8)	4
	196-171-157	Chamber, Outer	2	35	920-025-000	Ground Strap	1
⑮	286-095-360	Diaphragm	2	36	900-004-330	5/16 Lock Washer (Alum)	48
⑮	286-096-600	Diaphragm, Overlay	2		900-004-330	5/16 Lock Washer (SS)	32
17	312-110-157	Elbow, Suction (Aluminum Only)	2	Parts not shown used with Raised Face ANSI Flange Options R and W:			
18	312-111-157	Elbow, Discharge (Aluminum Only)	2		170.043.330	Hex Cap Screw	4
⑲	360-100-379	Gasket, Gas Inlet	1		326.054.080	Mounting Foot	2
⑳	360-108-360	Gasket, Pilot Valve	1		545.003.330	Hex Nut	4
㉑	360-102-360	Gasket, Gas Valve	1		900.001.330	Lock Washer	4
22	518-157-157	Manifold (see item 29) (Aluminum Only)	2		901.035.330	Flat Washer	8
	518-157-157E	Manifold BSP (Tapered) (Alum Only)	2	Parts not shown used with Raised Face ANSI Flange Option R ONLY:			
23	518-158-110	Manifold, Suction (SS)	1		334.122.110	1/2" ANSI 150# Raised Face Flange and Threaded Pipe Connection	2
	518-158-110E	Manifold, Suction BSP (Tapered) (SS)	1		538.006.110	1/2" NPT Pipe Nipple x 1 1/2 Long	2
	518-158-110W	Manifold, Suction - 1/2" Welded Raised Face #150 ANSI Flanged (SS)	1				
24	518-159-110	Manifold, Discharge (SS)	1				
	518-159-110E	Manifold, Discharge BSP (Tapered) (SS)	1				
	518-159-110W	Manifold, Discharge - 1/2" Welded Raised Face #150 ANSI Flanged (SS)	1				

LEGEND:

○ = Items contained within Gas End Kits

□ = Items contained within Wet End Kits

Note: Kits contain components specific to the material codes.

 **ATEX Compliant**

3: EXP VIEW

Material Codes - The Last 3 Digits of Part Number

3: EXP VIEW

000.....Assembly, sub-assembly;
and some purchased items
010.....Cast Iron
015.....Ductile Iron
020.....Ferritic Malleable Iron
080.....Carbon Steel, AISI B-1112
110.....Alloy Type 316 Stainless Steel
111.....Alloy Type 316 Stainless Steel
(Electro Polished)
112.....Alloy C
113.....Alloy Type 316 Stainless Steel
(Hand Polished)
114.....303 Stainless Steel
115.....302/304 Stainless Steel
117.....440-C Stainless Steel (Martensitic)
120.....416 Stainless Steel
(Wrought Martensitic)
148.....Hardcoat Anodized Aluminum
150.....6061-T6 Aluminum
152.....2024-T4 Aluminum (2023-T351)
155.....356-T6 Aluminum
156.....356-T6 Aluminum
157.....Die Cast Aluminum Alloy #380
158.....Aluminum Alloy SR-319
162.....Brass, Yellow, Screw Machine Stock
165.....Cast Bronze, 85-5-5-5
166.....Bronze, SAE 660
170.....Bronze, Bearing Type,
Oil Impregnated
180.....Copper Alloy
305.....Carbon Steel, Black Epoxy Coated
306.....Carbon Steel, Black PTFE Coated
307.....Aluminum, Black Epoxy Coated
308.....Stainless Steel, Black PTFE Coated
309.....Aluminum, Black PTFE Coated
313.....Aluminum, White Epoxy Coated
330.....Zinc Plated Steel
332.....Aluminum, Electroless Nickel Plated
333.....Carbon Steel, Electroless
Nickel Plated
335.....Galvanized Steel
337.....Silver Plated Steel
351.....Food Grade Santoprene®
353.....Geolast; Color: Black
354.....Injection Molded #203-40
Santoprene® Duro 40D +/-5;
Color: RED
356.....Hytrel®
357.....Injection Molded Polyurethane
358.....Urethane Rubber
(Some Applications)
(Compression Mold)
359.....Urethane Rubber
360.....Nitrile Rubber Color coded: RED
363.....FKM (Fluorocarbon)
Color coded: YELLOW

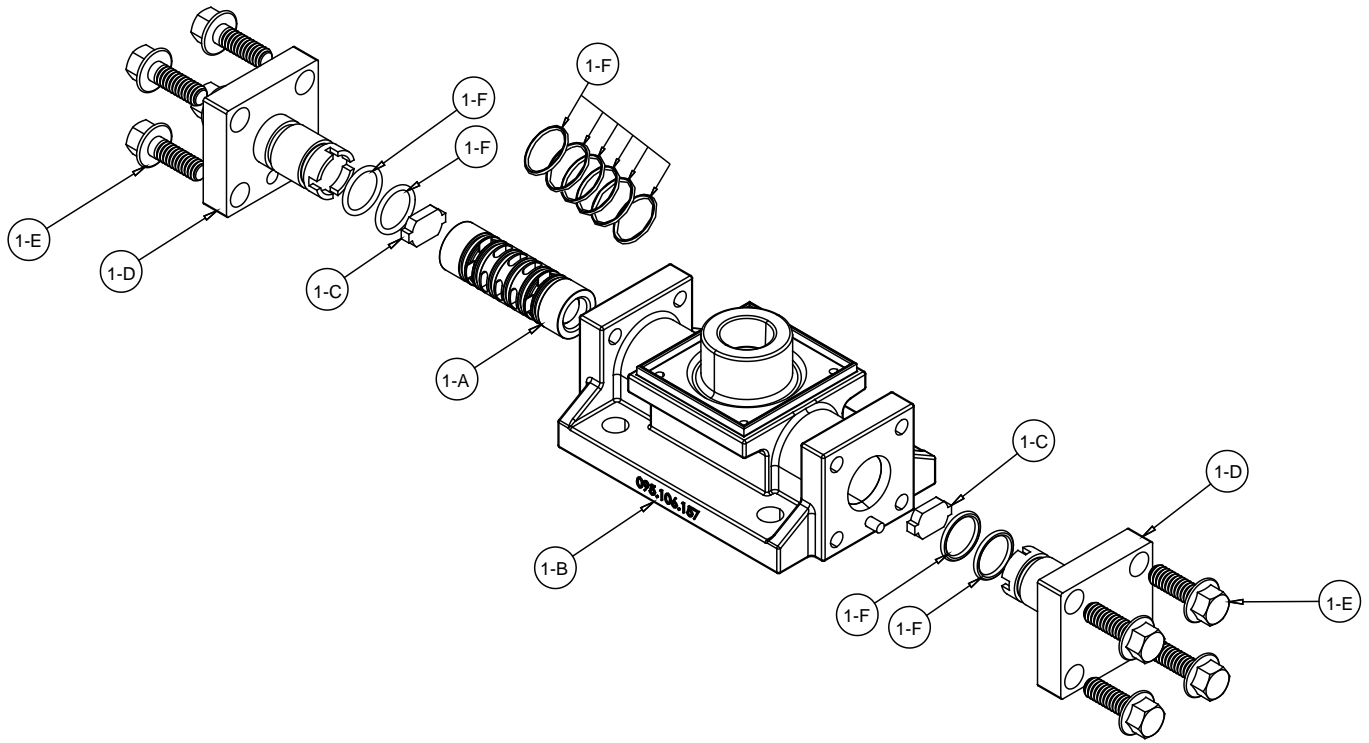
364.....EPDM Rubber
Color coded: BLUE
365.....Neoprene Rubber
Color coded: GREEN
366.....Food Grade Nitrile
368.....Food Grade EPDM
371.....Phlthane (Tuftane)
374.....Carboxylated Nitrile
375.....Fluorinated Nitrile
378.....High Density Polypropylene
379.....Conductive Nitrile
408.....Cork and Neoprene
425.....Compressed Fibre
426.....Blue Gard
440.....Vegetable Fibre
500.....Delrin® 500
502.....Conductive Acetal, ESD-800
503.....Conductive Acetal, Glass-Filled
506.....Delrin® 150
520.....Injection Molded PVDF
Natural color
540.....Nylon
542.....Nylon
544.....Nylon Injection Molded
550.....Polyethylene
551.....Glass Filled Polypropylene
552.....Unfilled Polypropylene
555.....Polyvinyl Chloride
556.....Black Vinyl
558.....Conductive HDPE
570.....Rulon II®
580.....Ryton®
600.....PTFE (virgin material)
Tetrafluorocarbon (TFE)
603.....Blue Gylon®
604.....PTFE
606.....PTFE
607.....Envelon
608.....Conductive PTFE
610.....PTFE Encapsulated Silicon
611.....PTFE Encapsulated FKM
632.....Neoprene/Hytrel®
633.....FKM/PTFE
634.....EPDM/PTFE
635.....Neoprene/PTFE
637.....PTFE, FKM/PTFE
638.....PTFE, Hytrel®/PTFE
639.....Nitrile/TFE
643.....Santoprene®/EPDM
644.....Santoprene®/PTFE
656.....Santoprene® Diaphragm and
Check Balls/EPDM Seats
661.....EPDM/Santoprene®
666.....FDA Nitrile Diaphragm,
PTFE Overlay, Balls, and Seals
668.....PTFE, FDA Santoprene®/PTFE

- Delrin and Hytrel are registered tradenames of E.I. DuPont.
- Nylatron is a registered tradename of Polymer Corp.
- Gylon is a registered tradename of Garlock, Inc.
- Santoprene is a registered tradename of Exxon Mobil Corp.
- Rulon II is a registered tradename of Dixion Industries Corp.
- Ryton is a registered tradename of Phillips Chemical Co.
- Valox is a registered tradename of General Electric Co.

RECYCLING

Many components of SANDPIPER® AODD pumps are made of recyclable materials. We encourage pump users to recycle worn out parts and pumps whenever possible, after any hazardous pumped fluids are thoroughly flushed.

Gas Distribution Valve Assembly



Gas Distribution Valve Servicing

- Step 1:** Remove cap screws (1-E).
- Step 2:** Remove end cap (1-D) and bumper (1-C).
- Step 3:** Remove spool part (caution: do not scratch).
- Step 4:** Press sleeve (1-A) from body (1-B).
- Step 5:** Inspect O-Ring (1-F) and replace if necessary.
- Step 6:** Lightly lubricate O-Rings (1-F) on spool (1-A).
- Step 7:** Press sleeve (1-A) into body (1-B).
- Step 8:** Reassemble in reverse order, starting with step 3.

Note: Sleeve and spool (1-A) set is match ground to a specified clearance sleeve and spools (1-A) cannot be interchanged.

Main Gas Valve Assembly Parts List

Item	Part Number	Description	Qty
①	031-174-000	Valve Assembly	1
1-A	031-188-000	Sleeve and Spool Set	1
1-B	095-106-157	Valve Body	1
1-C	132-038-357	Bumper	2
1-D	165-128-157	End Cap	2
1-E	171-076-330	Hex Flange Capscrew 1/4-20 x .75	8
1-F	560-101-379	O-Ring	4

Item	Part Number	Description	Qty
1	031-174-363	Valve Assembly	1
1-A	031-188-363	Sleeve and Spool Set (FKM)	1
1-F	560-101-363	O-Ring (FKM)	4

(includes all other items used on 013.174.000)

LEGEND:

○ = Items contained within Gas End Kits

IMPORTANT

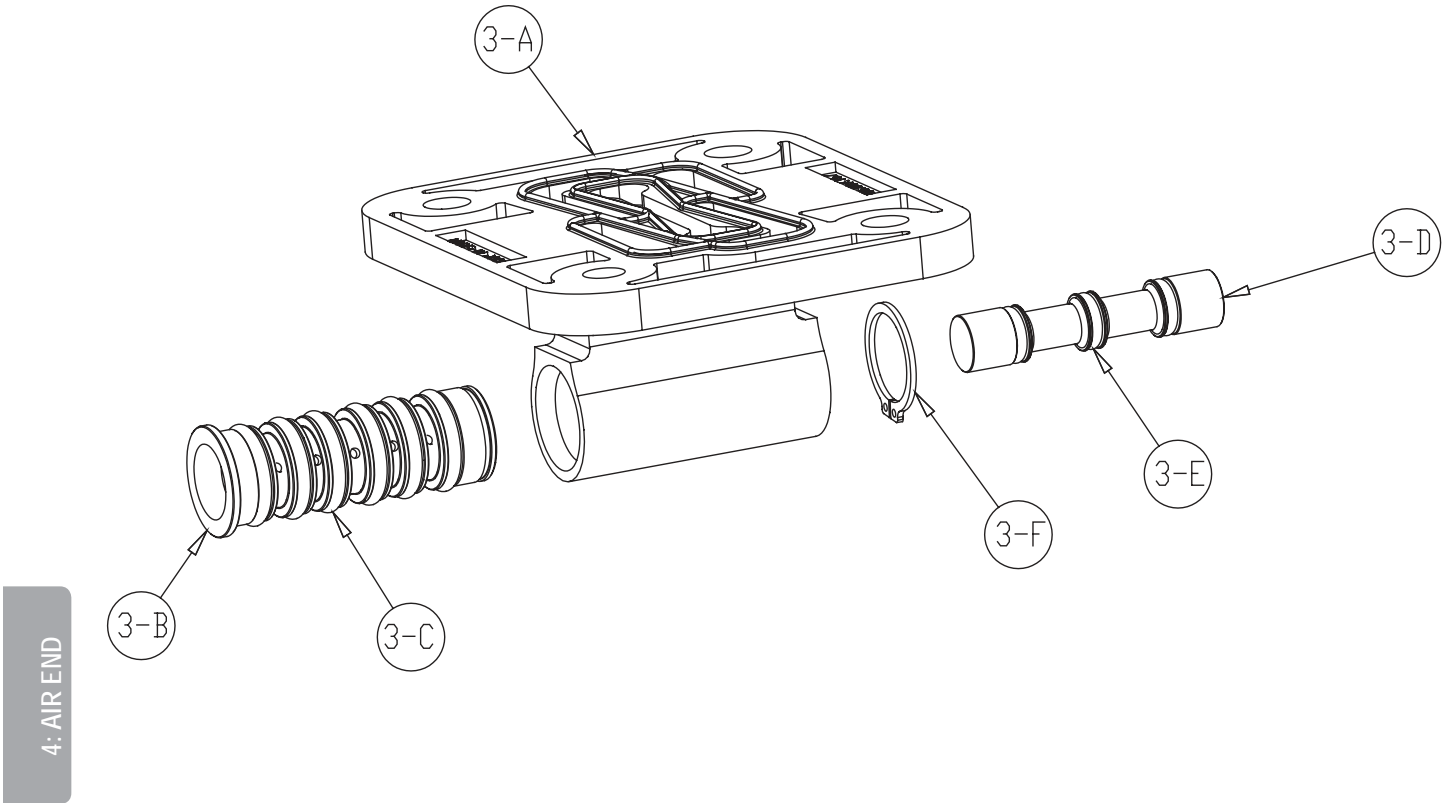


Read these instructions completely, before installation and start-up. It is the responsibility of the purchaser to retain this manual for reference. Failure to comply with the recommendations stated in this manual will damage the pump, and void factory warranty.



ATEX Compliant

Pilot Valve Assembly



Pilot Valve Servicing

With Pilot Valve removed from pump.

- Step 1:** Remove snap ring (3-F).
- Step 2:** Remove sleeve (3-B), inspect O-Rings (3-C), replace if required.
- Step 3:** Remove spool (3-D) from sleeve (3-B), inspect O-Rings (3-E), replace if required.
- Step 4:** Lightly lubricate O-Rings (3-C) and (3-E).

Reassemble in reverse order.

Pilot Valve Assembly Parts List

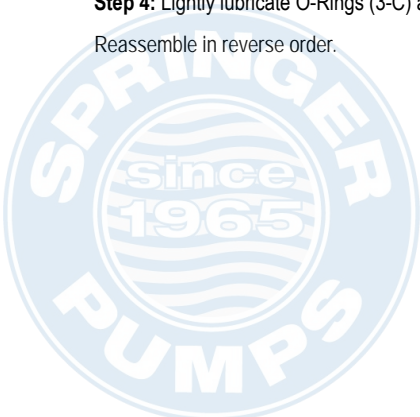
Item	Part Number	Description	Qty
③	095-116-000	Pilot Valve Assembly	1
3-A	095-087-157	Valve Body	1
3-B	755-051-000	Sleeve (With O-Rings)	1
3-C	560-033-360	O-Ring (Sleeve)	6
3-D	775-055-000	Spool (With O-Rings)	1
3-E	560-023-360	O-Ring (Spool)	3
3-F	675-037-080	Retaining Ring	1

Item	Part Number	Description	Qty
③	095-116-363	Pilot Valve Assembly (FKM)	1
3-B	755-051-363	Sleeve (With O-Rings) (FKM)	1
3-C	560-033-363	O-Ring (FKM)	6
3-D	775-055-363	Spool (With O-Rings) (FKM)	1
3-E	560-023-363	O-Ring (FKM)	3

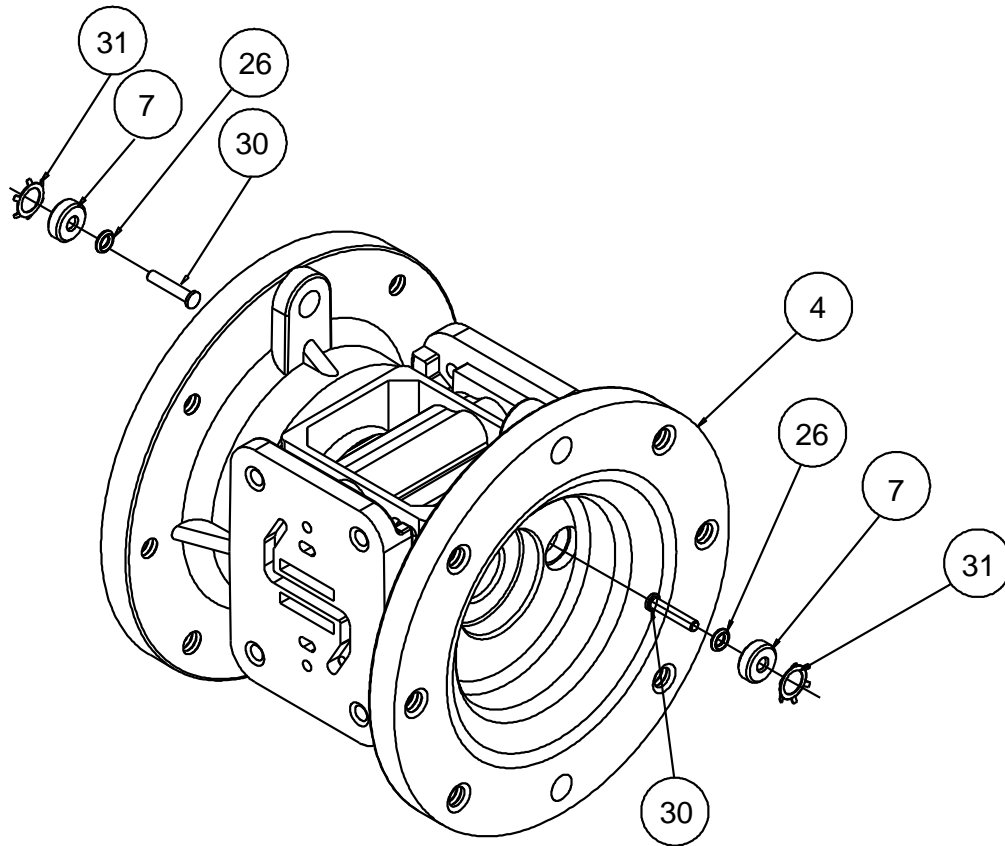
(Includes all other items used on 095-116-000)

LEGEND:

○ = Items contained within Gas End Kits



Intermediate Assembly



Intermediate Assembly Drawing

- Step 1:** Remove plunger, actuator (30) from center of intermediate pilot valve cavity.
- Step 2:** Remove Ring, Retaining (31), discard.
- Step 3:** Remove bushing, plunger (7), inspect for wear and replace if necessary with genuine parts.
- Step 4:** Remove O-Ring (26), inspect for wear and replace if necessary with genuine parts.
- Step 5:** Lightly lubricate O-Ring (26) and insert into intermediate.
- Step 6:** Reassemble in reverse order.

Intermediate Repair Parts List

Item	Part Number	Description	Qty
4	114-023-157	Bracket, Intermediate	1
⑦	135-036-506	Bushing, Plunger	2
②⑥	560-001-360	O-Ring	2
	560-001-363	O-Ring (FKM)	2
③①	620-019-115	Plunger, Actuator	2
③①	675-042-115	Ring, Retaining*	2

*NOTE: It is recommended that when plunger components are serviced, new retaining rings be installed.

LEGEND:

○ = Items contained within Gas End Kits

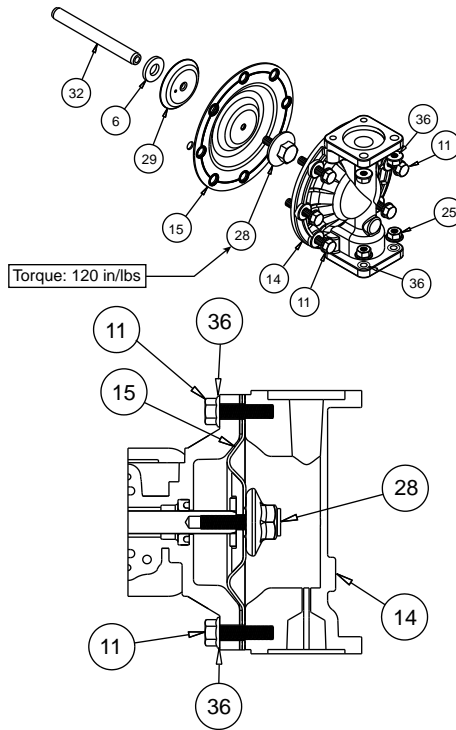
IMPORTANT



When the pumped product source is at a higher level than the pump (flooded suction condition), pipe the exhaust higher than the product source to prevent siphoning spills. In the event of a diaphragm failure a complete rebuild of the center section is recommended.



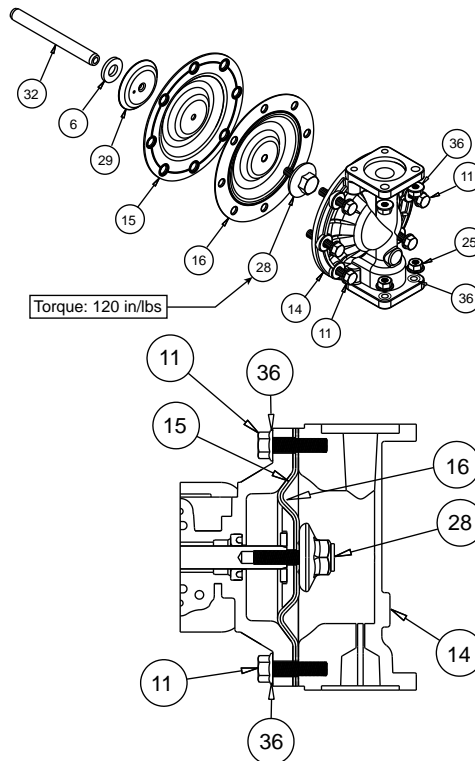
Diaphragm Service Drawing, Non-Overlay



Diaphragm Orientation
Intall diaphragm as shown above.

Diaphragm Service Drawing, w/Overlay

5: WET END



Diaphragm Orientation
Intall diaphragm and overlay as shown above.



Diaphragm Servicing

Step 1: With manifolds and outer chambers removed, remove diaphragm assemblies from diaphragm rod. **DO NOT** use a pipe wrench or similar tool to remove assembly from rod. Flaws in the rod surface may damage bearings and seal. Soft jaws in a vise are recommended to prevent diaphragm rod damage.

Step 1.A: NOTE: Not all inner diaphragm plates are threaded. Some models utilize a through hole in the inner diaphragm plate. If required to separate diaphragm assembly, place assembly in a vise, gripping on the exterior cast diameter of the inner plate. Turn the outer plate clockwise to separate the assembly.

Always inspect diaphragms for wear cracks or chemical attack. Inspect inner and outer plates for deformities, rust scale and wear. Inspect intermediate bearings for elongation and wear. Inspect diaphragm rod for wear or marks.

Clean or repair if appropriate. Replace as required.

Step 2: Reassembly: There are two different types of diaphragm plate assemblies utilized throughout the Sandpiper product line: Outer plate with a threaded stud, diaphragm, and a threaded inner plate.

Outer plate with a threaded stud, diaphragm, and an inner plate with through hole. Secure threaded inner plate in a vise. Ensure that the plates are being installed with the outer radius against the diaphragm.

Step 3: Lightly lubricate, with a compatible material, the inner faces of both outer and inner diaphragm plates when using on non Overlay diaphragms (For EPDM water is recommended). No lubrication is required.

Step 4: Push the threaded outer diaphragm plate through the center hole of the diaphragm.

Note: Most diaphragms are installed with the natural bulge out towards the fluid side. S05, S07, and S10 non-metallic units are installed with the natural bulge in towards the gas side.

Step 5: Thread or place, outer plate stud into the inner plate. For threaded inner plates, use a torque wrench to tighten the assembly together. Torque values are called out on the exploded view.

Repeat procedure for second side assembly. Allow a minimum of 15 minutes to elapse after torquing, then re-torque the assembly to compensate for stress relaxation in the clamped assembly.

Step 6: Thread one assembly onto the diaphragm rod with sealing washer (when used) and bumper.

Step 7: Install diaphragm rod assembly into pump and secure by installing the outer chamber in place and tightening the capscrews.

Step 8: On opposite side of pump, thread the remaining assembly onto the diaphragm rod. Using a torque wrench, tighten the assembly to the diaphragm rod. Align diaphragm through bolt holes, always going forward past the recommended torque. Torque values are called out on the exploded view. **NEVER** reverse to align holes, if alignment cannot be achieved without damage to diaphragm, loosen complete assemblies, rotate diaphragm and reassemble as described above.



IMPORTANT



Read these instructions completely, before installation and start-up. It is the responsibility of the purchaser to retain this manual for reference. Failure to comply with the recommendations stated in this manual will damage the pump, and void factory warranty.

PUMPING HAZARDOUS LIQUIDS

When a diaphragm fails, the pumped liquid or fumes enter the natural gas end of the pump. Fumes are exhausted into the surrounding environment. When pumping hazardous or toxic materials, the exhaust gas must be piped to an appropriate area for safe disposal. See illustration #1 at right.

This pump can be submerged if the pump materials of construction are compatible with the liquid being pumped. The natural gas exhaust must be piped above the liquid level. See illustration #2 at right. Piping used for the gas exhaust must not be smaller than 1" (2.54 cm) diameter. Reducing the pipe size will restrict natural gas flow and reduce pump performance. When the pumped product source is at a higher level than the pump (flooded suction condition), pipe the exhaust gas higher than the product source to prevent siphoning spills. See illustration #3 at right.

PIPING THE NATURAL GAS EXHAUST

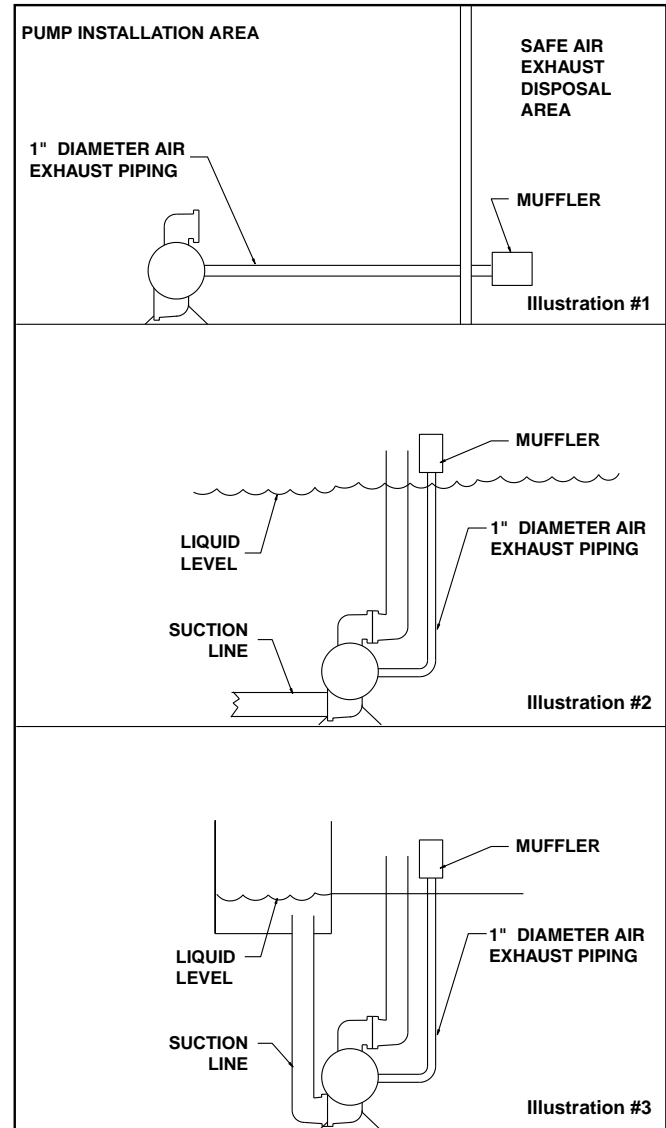
The following steps are necessary to pipe the exhaust gas away from the pump. The gas distribution valve assembly (item 1) has 1" NPT threads for piped exhaust.

IMPORTANT INSTALLATION NOTE: The manufacturer recommends installing a flexible conductive hose or connection between the pump and any rigid plumbing. This reduces stresses on the molded threads of the natural gas exhaust port. Failure to do so may result in damage to the natural gas distribution valve body.

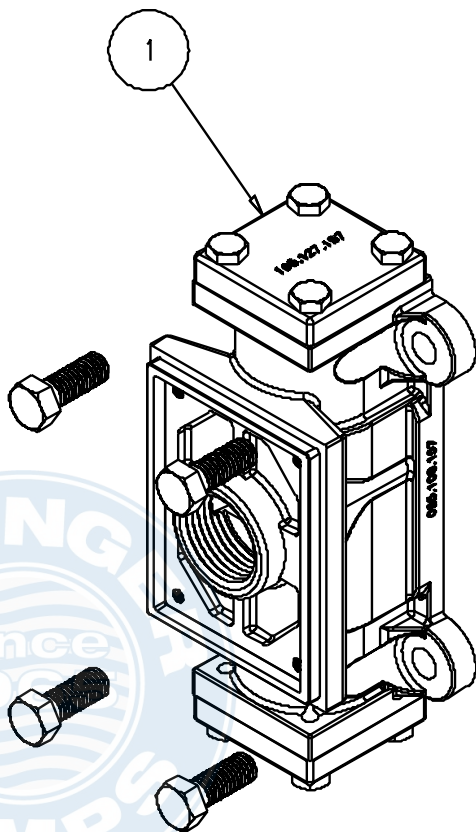
Any piping or hose connected to the pump's natural gas exhaust port must be conductive and physically supported. Failure to support these connections could also result in damage to the valve body.

If a high pressure gas spike is possible through the exhaust line, a pressure regulator is required in the exhaust piping.


NATURAL GAS EXHAUST ILLUSTRATION



5: WET END



⚠ WARNING

 Natural gas exhaust is to be vented to low pressure safe location using conductive Nitrile rubber hose or metal piping in accordance with local fire and environmental codes, or an industry or nationally recognized code having jurisdiction over specific installations, and/or CAN/CGA B149, Installation Codes.

5 - YEAR Limited Product Warranty

Warren Rupp, Inc. ("Warren Rupp") warrants to the original end-use purchaser that no product sold by Warren Rupp that bears a Warren Rupp brand shall fail under normal use and service due to a defect in material or workmanship within five years from the date of shipment from Warren Rupp's factory. Warren Rupp brands include Warren Rupp®, SANDPIPER®, MARATHON®, PortaPump®, SludgeMaster™ and Tranquilizer®.

~ See sandpiperpump.com/content/warranty-certifications for complete warranty, including terms and conditions, limitations and exclusions. ~

**WARREN
RUPP, INC.**

Declaration of Conformity

**Manufacturer: Warren Rupp, Inc., 800 N. Main Street
Mansfield, Ohio, 44902 USA**

Certifies that Air-Operated Double Diaphragm Pump Series: HDB, HDF, M Non-Metallic, S Non-Metallic, M Metallic, S Metallic, T Series, G Series, U Series, EH and SH High Pressure, RS Series, W Series, SMA and SPA Submersibles, and Tranquilizer® Surge Suppressors comply with the European Community Directive 2006/42/EC on Machinery, according to Annex VIII. This product has used Harmonized Standard EN809:1998+A1:2009, Pumps and Pump Units for Liquids - Common Safety Requirements, to verify conformance.


Signature of authorized person

David Roseberry
Printed name of authorized person

Revision Level: F

October 20, 2005
Date of issue

Engineering Manager
Title

August 23, 2012
Date of revision



7: WARRANTY

WARREN RUPP, INC.

EC / EU Declaration of Conformity

The objective of the declaration described is in conformity with the relevant Union harmonisation legislation: Directive 94/9/EC (until April 19, 2016) and Directive 2014/34/EU (from April 20, 2016).

Manufacturer:

Warren Rupp, Inc.
A Unit of IDEX Corporation
800 North Main Street
P.O. Box 1568
Mansfield, OH 44902 USA

Applicable Standard:

EN13463-1: 2001
EN13463-5: 2003
EN60079-25: 2004

Harmonised Standard:

EN13463-1: 2009
EN13463-5: 2011
EN60079-25:2010

The harmonised standards have been compared to the applicable standards used for certification purposes and no changes in the state of the art technical knowledge apply to the listed equipment.

AODD Pumps and Surge Suppressors

Technical File No.: 203104000-1410/MER

AODD (Air-Operated Double Diaphragm) Pumps

EC Type Examination Certificate No. Pumps: KEMA 09ATEX0071 X

DEKRA Certification B.V. (0344)

Meander 1051
6825 MJ Arnhem
The Netherlands

Hazardous Locations Applied:

I M1 c	II 1 G c T5
II 2 G Ex ia c II T5	II 1 D c T100°C
II 2 D Ex c iaD 20 IP67 T100°C	II 2 G c T5
II 2 G Ex m c II T5	II 2 D c T100°C
II 2 D c IP65 T100°C	

SANDPIPER®

A WARREN RUPP, INC. BRAND

Tranquilizer®

DATE/APPROVAL/TITLE:

18 March 2016

David Roseberry
David Roseberry, Director of Engineering