



## WDP Dosing Series

---



24 Frederick St.  
Waldwick, NJ (07463)



## WDP Dosing Series



### *The Dosing Series...*

The pumps of the WDP series are widely used in laboratory dosages due to their perfect and exact dosage.

Low to highly viscous liquids, pasty, neutral or aggressive, pure or abrasive, gaseous or tending to froth, also with fibrous and solids content

### *Main Application,,,*

Sewage and environmental engineering, chemical and petrochemical industries, food and beverages industry, paper and pulp industry, soap and fats industry, dye and paint industry, plastic and ceramics industry

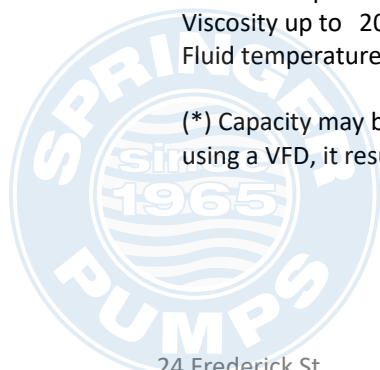
#### Performance data

Capacity (Q) up to 10 l/min \*  
Discharge pressure up to 12 bar  
Differential pressure up to 12 bar  
Viscosity up to 20000 mm<sup>2</sup>/s  
Fluid temperature up to 150°C

(\* ) Capacity may be easily adjusted by using a VFD, it results in accurate values.

#### Construction features

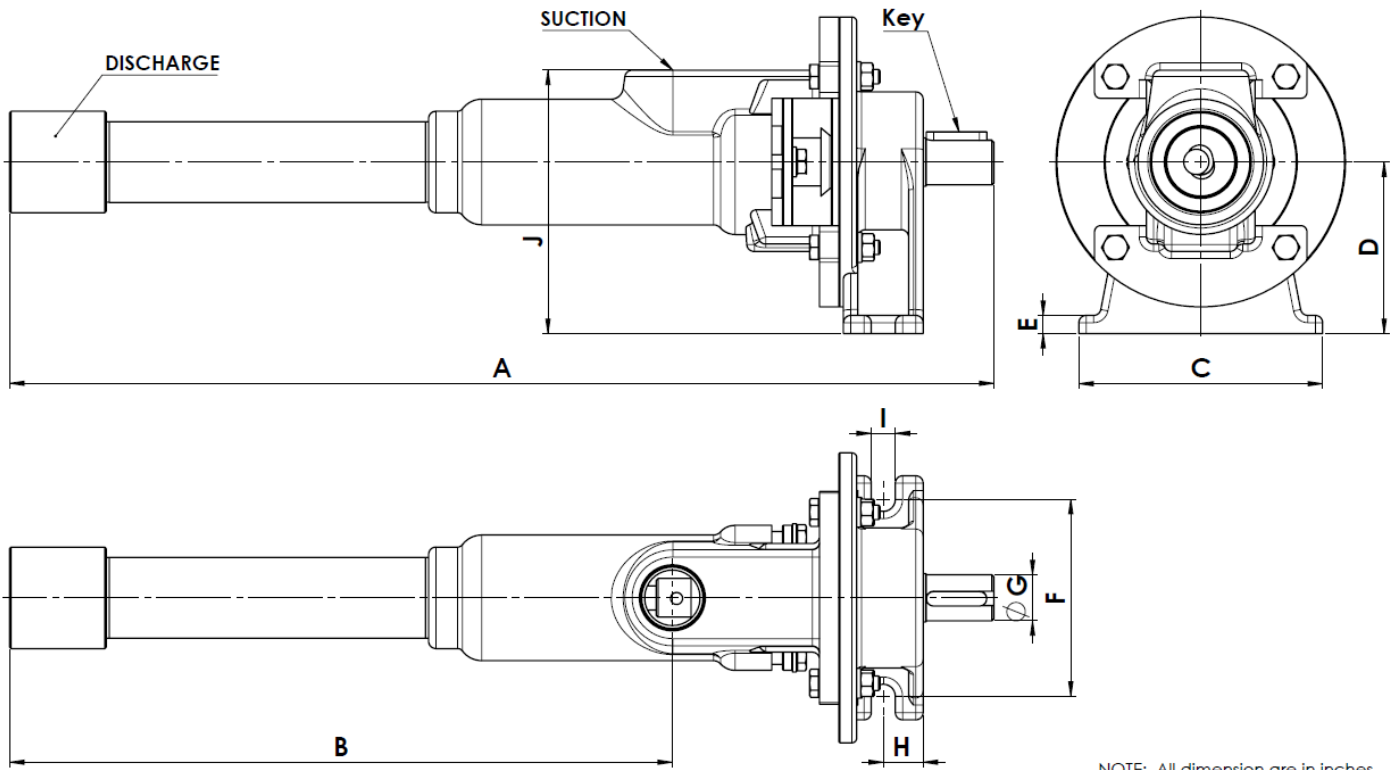
Base plate design (pump and motor mounted on a base plate)  
Bulkhead mounting / Pedestal mounting  
Dry installation  
Horizontal installation  
Pump drive directly coupled or by gear or belt transmission  
Self - priming  
Reversible pumping



24 Frederick St.  
Waldwick, NJ (07463)

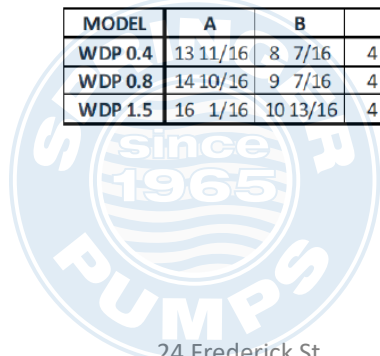


## WDP General Arrangements



NOTE: All dimension are in inches

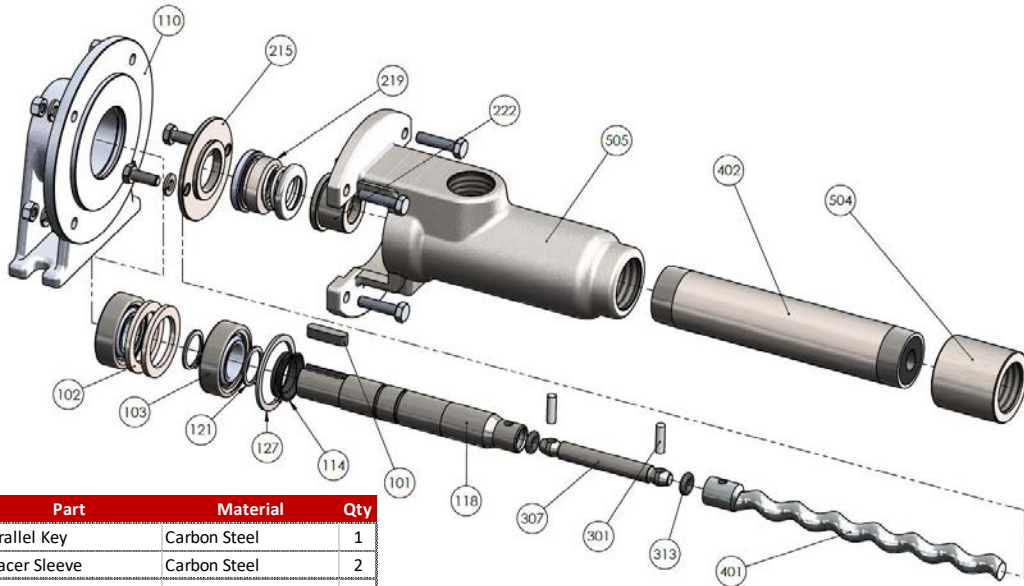
MODEL	A	B	C	D	E	F	G	H	I	J	SUCTION	DISCHARGE	KEY
WDP 0.4	13 11/16	8 7/16	4	2 13/16	5/16	3 3/16	3/4	2/3	3/8	4 5/16	NPT 3/4" 14h x 1"	NPT 1/2" 14h x 1"	6 x 6 x 25
WDP 0.8	14 10/16	9 7/16	4	2 13/16	5/16	3 3/16	3/4	2/3	3/8	4 5/16	NPT 3/4" 14h x 1"	NPT 3/4" 14h x 1"	6 x 6 x 25
WDP 1.5	16 1/16	10 13/16	4	2 13/16	5/16	3 3/16	3/4	2/3	3/8	4 5/16	NPT 3/4" 14h x 1"	NPT 1" 11,5h x 1"	6 x 6 x 25



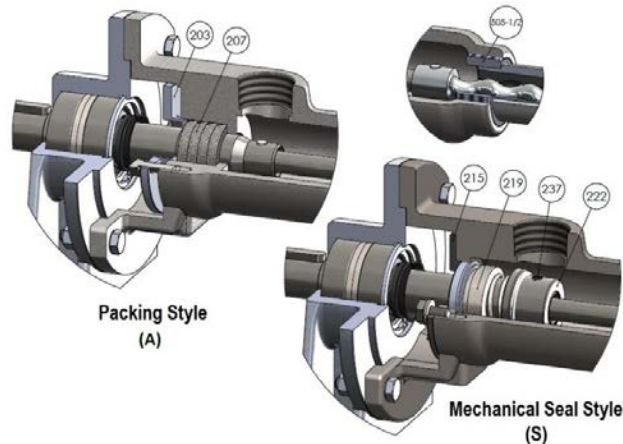
24 Frederick St.  
Waldwick, NJ (07463)



## WDP Exploded View



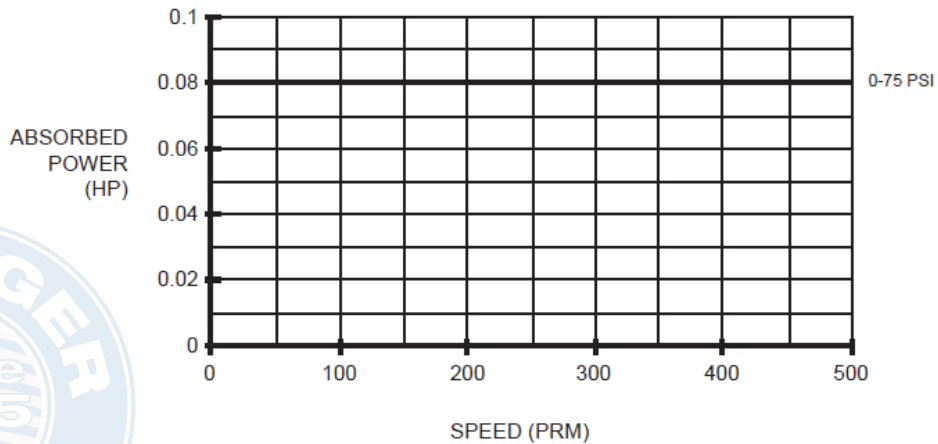
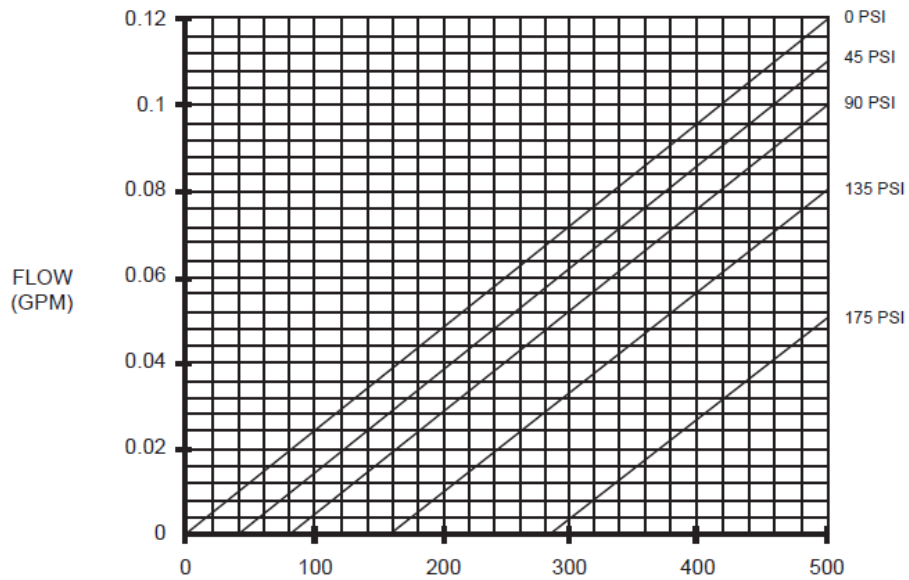
Pos.	Part	Material	Qty
101	Parallel Key	Carbon Steel	1
102	Spacer Sleeve	Carbon Steel	2
103	Bearing	Steel	2
110	Bearing Housing	Aluminum	1
114	Flinger Ring	Viton	1
118	Drive Shaft	316 SS	1
121	Shaft retaining ring	Hardened Steel	2
127	Housing retaining ring	Hardened Steel	1
203	Packing Gland	316 SS	1
207	Packing	PTFE	4
215	Seal Cover	316 SS	1
219	Mechanical Seal	Carbon/Ceramic/Viton	1
222	Seal spacer	316 SS	1
237	Hex head cup screw	316 SS	1
301	Pin	316 SS	2
307	Connecting Rod	316 SS	1
313	O'ring	Viton	2
401	Rotor	316 SS	1
402	Stator	316 SS tube/Viton	2
504	Adapter Socket	316 SS	1
505	Suction Housing	316 SS	1
505-1	Reducing ring 0.4	316 SS	1
505-2	Reducing ring 0.8	316 SS	1



24 Frederick St.  
Waldwick, NJ (07463)



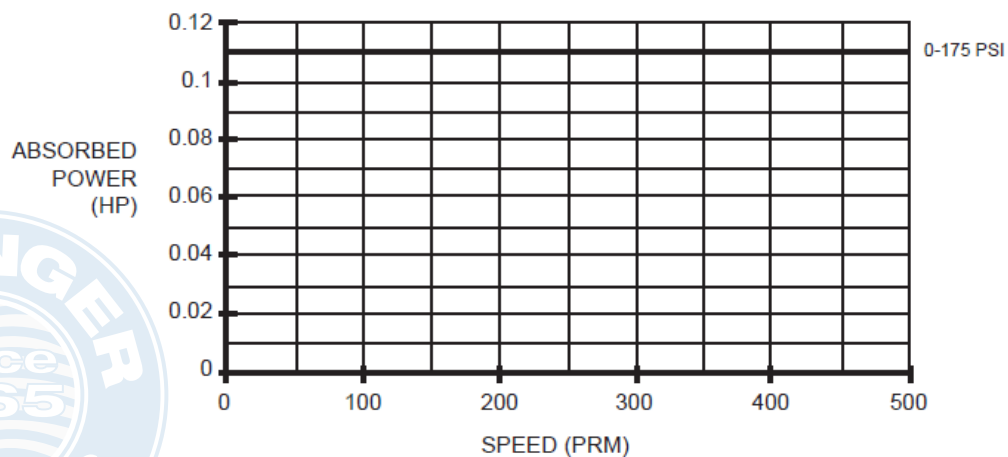
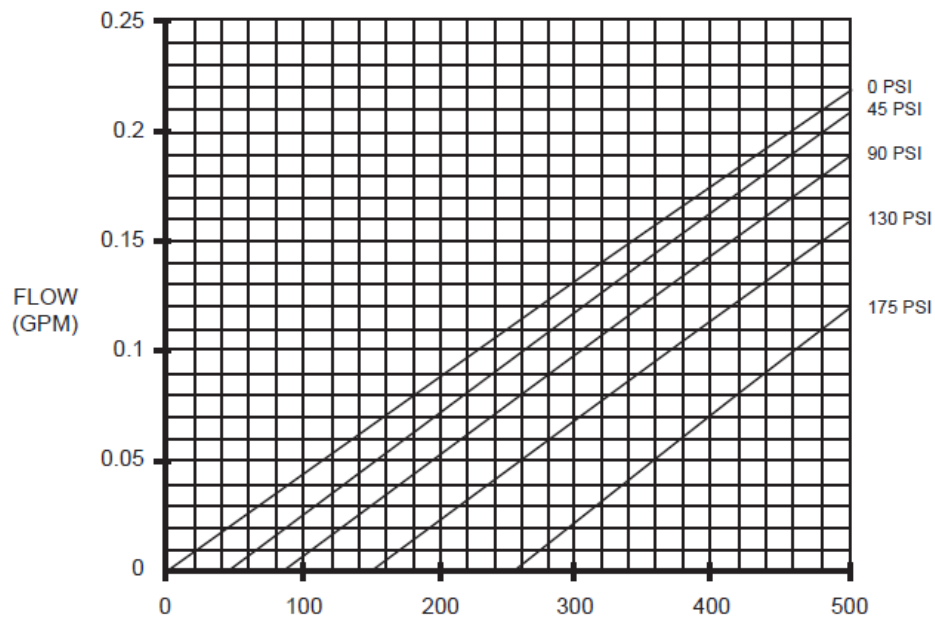
## WDP 0.4 Performance Data



24 Frederick St.  
Waldwick, NJ (07463)



## WDP 0.8 Performance Data

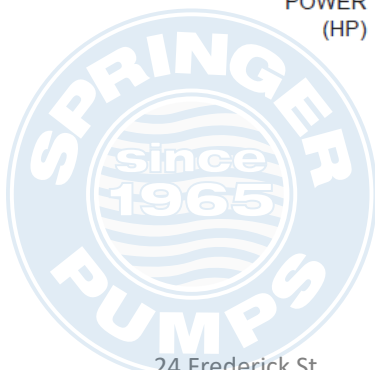
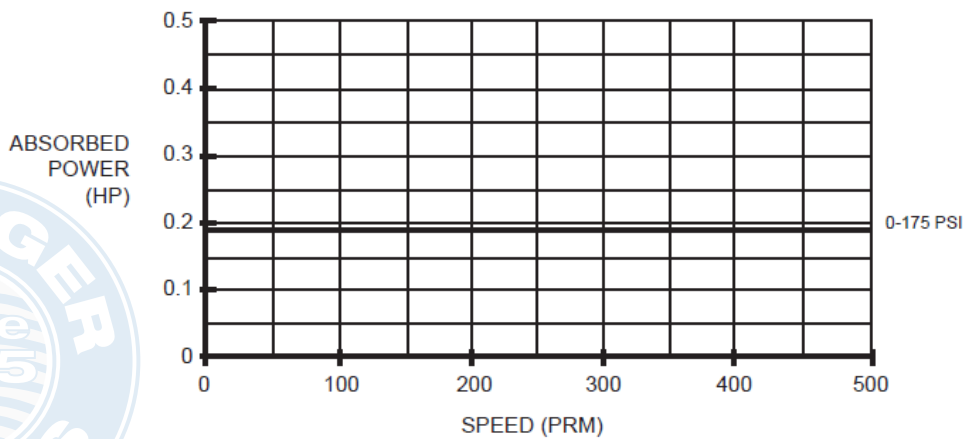
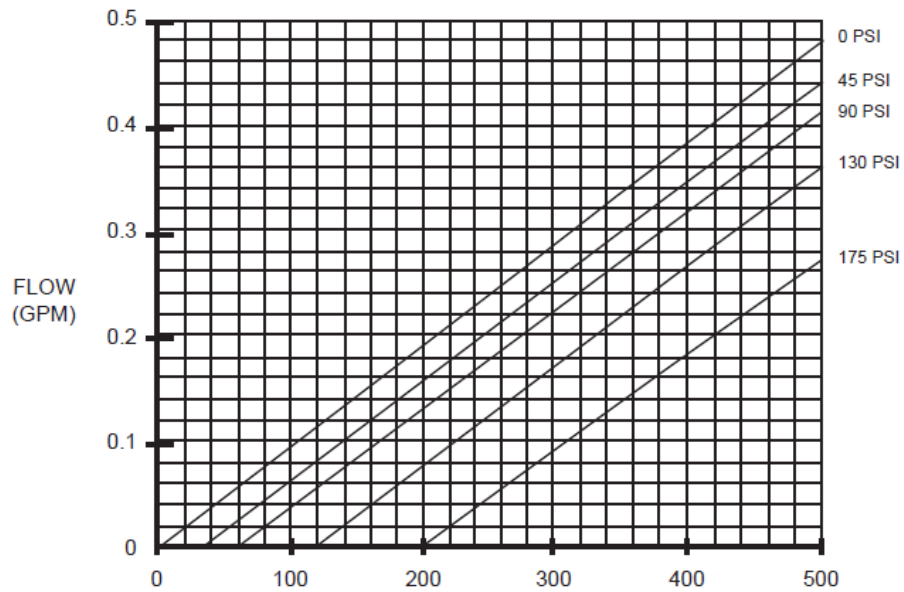


24 Frederick St.  
Waldwick, NJ (07463)





## WDP 1.5 Performance Data



24 Frederick St.  
Waldwick, NJ (07463)