



# Whirling Int. Inc.

## Products

## Catalog



24 Frederick St,  
Waldwick, NJ (07463)

Tel: 866-777-6060  
Fax: 866-777-6383

Springer Pumps, LLC

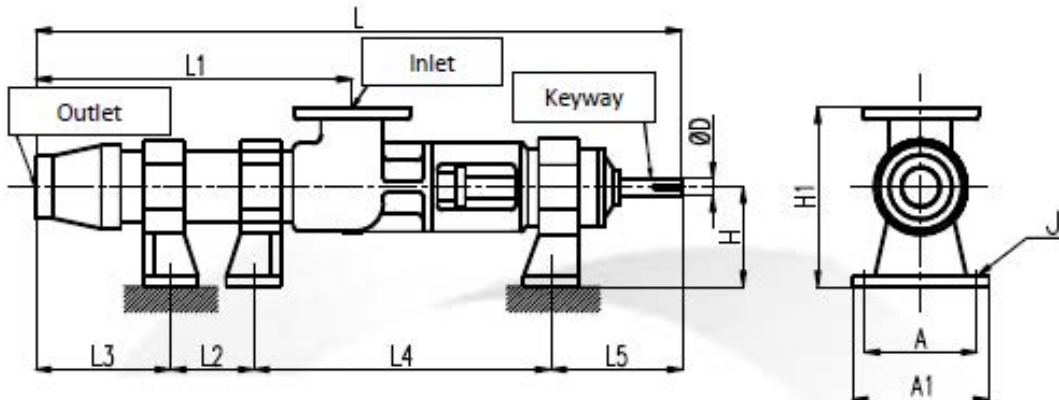


Website: [www.springerpumps.com](http://www.springerpumps.com)  
Int'l: +001 267 404 2910

**WL Pump Series**



## General Arrangements



Pump	DIMENSIONS					WEIGHT (Pounds)	Pump	DIMENSIONS					WEIGHT (Pounds)
	L	L1	L2	L3	L4			L	L1	L2	L3	L4	
2WM1	17"	7.3"	—	4.0"	8.0"	22 lbs	3WL6	60"	39.1"	18.0"	13.8"	20.0"	191 lbs
3WM1	19"	9.1"	—	4.9"	9.6"	24 lbs	1WL8	46"	20.2"	—	9.8"	27.0"	301 lbs
6WM1	24"	14.8"	—	4.4"	15.7"	31 lbs	2WL8	58"	32.6"	14.0"	—	25.0"	330 lbs
1WL2	17"	7.3"	—	4.2"	8.5"	22 lbs	3WL8	71"	45.0"	24.0"	12.6"	25.0"	370 lbs
2WL2	20"	10.9"	—	5.7"	10.5"	26 lbs	1WL10	53"	21.9"	—	9.6"	30.0"	409 lbs
3WL2	24"	14.4"	—	7.8"	12.0"	31 lbs	2WL10	64"	32.2"	10.5"	9.5"	30.0"	528 lbs
6WM2	39"	26.4"	14.0"	7.9"	11.5"	48 lbs	3WL10	74"	42.6"	18.0"	12.4"	30.0"	550 lbs
1WL3	23"	10.1"	—	5.6"	11.5"	46 lbs	1WL10H	59"	27.5"	—	15.0"	30.0"	462 lbs
2WL3	28"	15.4"	—	9.4"	13.0"	53 lbs	2WL10H	74"	42.6"	18.0"	12.4"	30.0"	550 lbs
3WL3	33"	20.7"	9.0"	7.2"	11.5"	59 lbs	4P10H	116"	75.9"	16.5"	11.3"	33.7"	1540 lbs
6WMB	55"	38.0"	22.0"	10.4"	11.5"	110 lbs	6P10	116"	75.9"	16.5"	11.3"	33.7"	1540 lbs
1WL4	30"	13.1"	—	7.2"	15.7"	84 lbs	1WL12	70"	31.0"	—	14.5"	37.5"	880 lbs
2WL4	37"	20.2"	—	8.1"	—	90 lbs	2WL12	86"	46.5"	20.5"	12.0"	35.0"	990 lbs
3WL4	44"	27.4"	11.0"	10.5"	—	97 lbs	3WL12	101"	62.1"	27.0"	14.1"	42.0"	1210 lbs
6WMA	71"	49.7"	25.1"	17.4"	20.0"	169 lbs	1WL12H	78"	38.7"	—	17.8"	42.0"	968 lbs
1WL6	39"	17.8"	—	10.6"	20.0"	141 lbs	2WL12H	101"	62.1"	27.0"	14.1"	42.0"	1298 lbs
2WL6	50"	28.4"	12.0"	9.2"	20.0"	172 lbs							

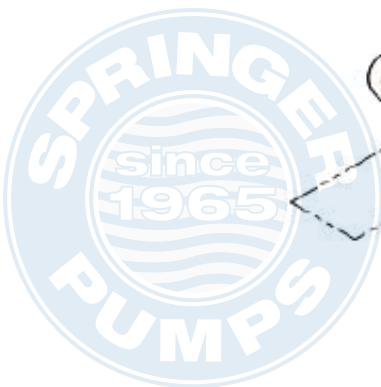
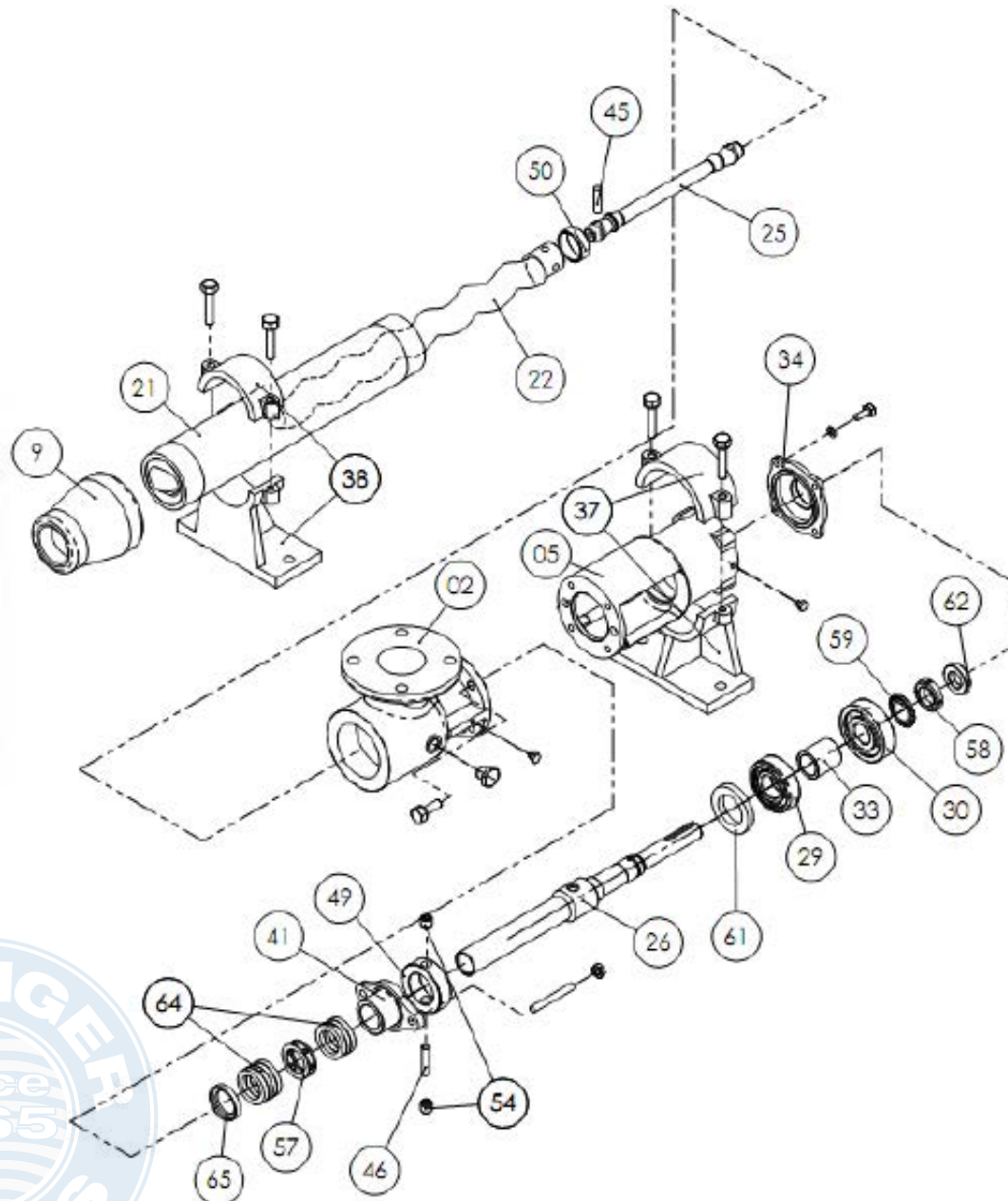
Tolerance: +1/8"

Pump	H	H1	A	A1	L5	J	ØD	Keyway	Inlet	Outlet
WL2 / WM1	3.2"	5.9"	3.1"	4.0"	4.3"	0.4"	0.625"	3/16" x 1/8"	1"	NPT 1/4" x 14"
WL3 / WM2	4.1"	7.3"	4.3"	5.4"	5.7"	0.4"	0.750"	3/16" x 1/8"	1 1/2"	NPT 1/4" x 11.5"
WL4 / WMB	5.5"	9.9"	5.5"	7.0"	7.0"	0.6"	0.935"	1/4" x 1/8"	2 1/2"	NPT 2" x 11"
WL6 / WMA	6.3"	11.3"	7.0"	8.6"	8.5"	0.7"	1.125"	1/4" x 1/8"	3"	NPT 2 1/2" x 8"
WL8	8.1"	14.0"	10.0"	11.5"	9.3"	0.9"	1.376"	3/8" x 3/16"	4"	NPT 4" x 8"
WL10 / WL10H	9.8"	16.7"	9.1"	11.5"	13.5"	0.9"	1.678"	1/2" x 1/4"	6"	NPT 5" x 8"
WL12 / WL12H	12.5"	21.0"	12.6"	14.5"	18.0"	1.0"	2.250"	1/2" x 1/4"	8"	NPT 6" x 8"

⚠ The measurements shown in this table are for ref only. The manufacturer reserves the right to change them without notice.

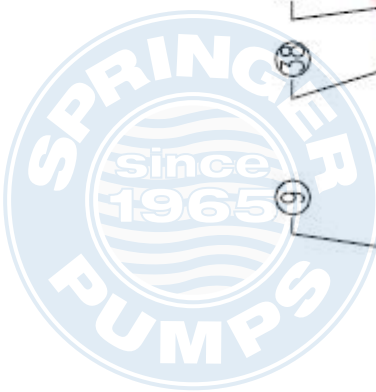
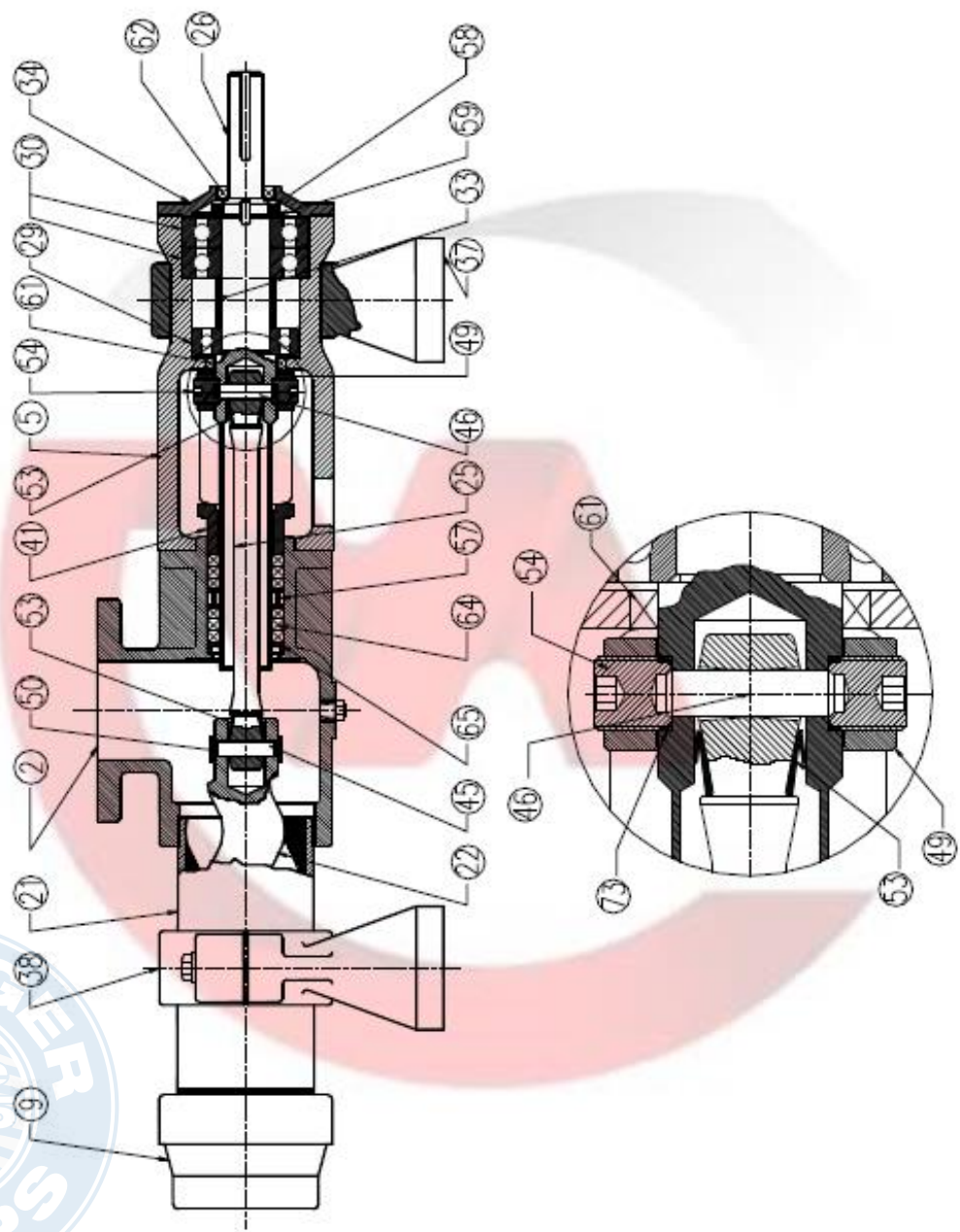
⚠ Drawings with certified measurements are available upon request.

**WL3 / WL4 / WL6 Detail**

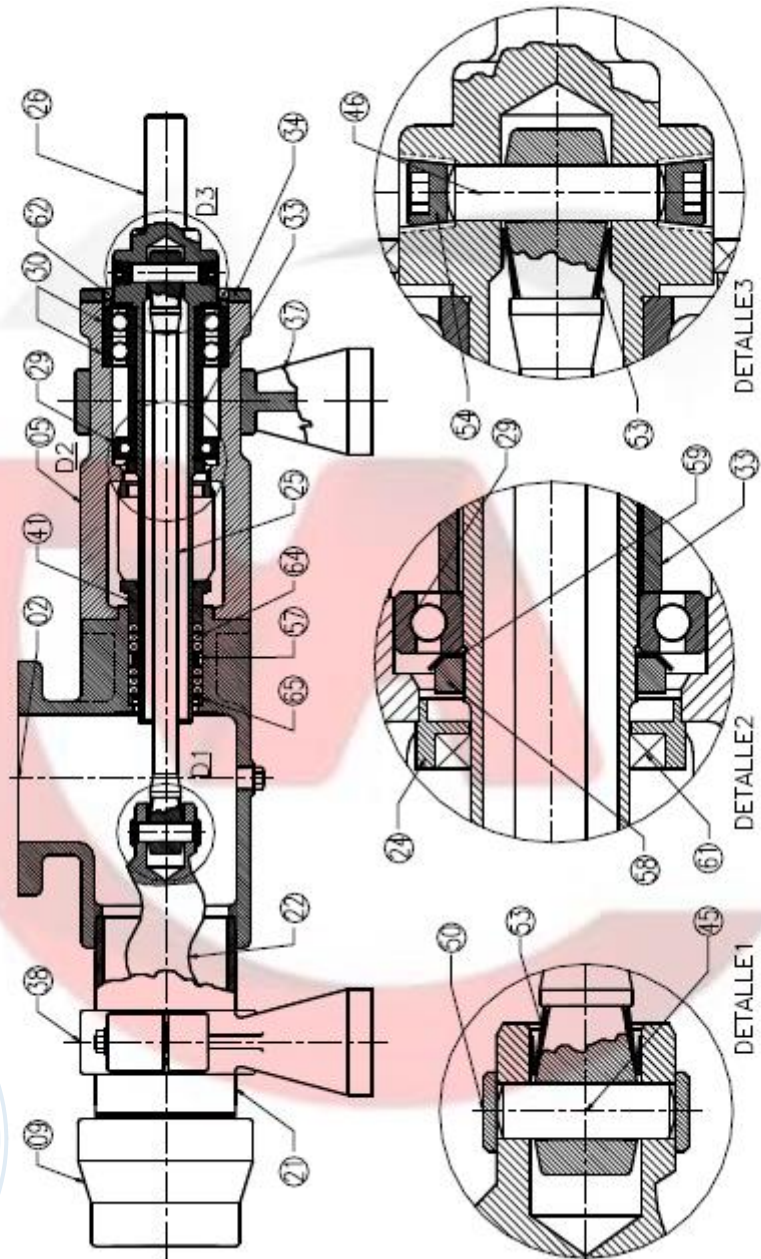




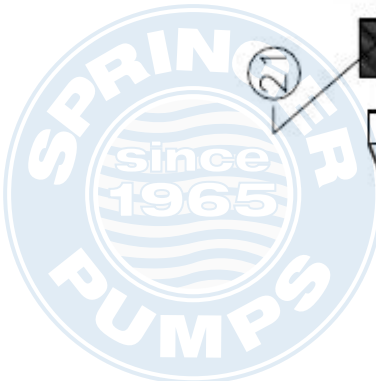
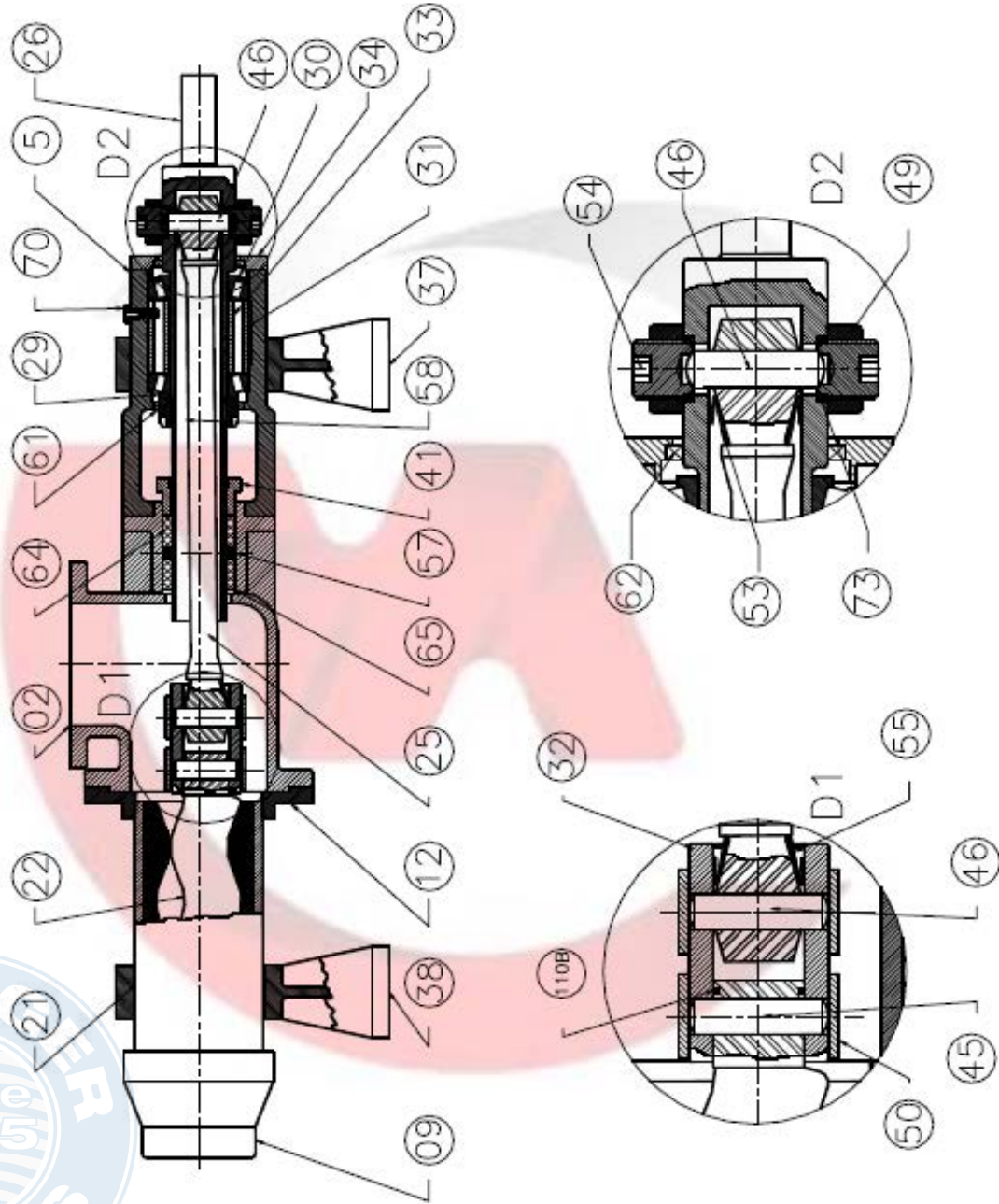
**WL8 Detail**



**WL10 / WL10H Detail**



**WL12 / WL12H Detail**



## Part List & Codes

Pos	Part	Pos	Part	Pos	Part
02	Suction Housing	32	Rotor Head	54	Pin Retainer Screw
05	Bearing Housing	33	Bearing Spacer	57	Lantern Ring
09	Reducer	34	Bearing Cover Plate	58	Bearing Lock Nut
21	Stator	37	Body Support	59	Bearing Lock Washer
22	Rotor	38	Stator Support	61	Radial Grease Seal
24	Seal support	41	Packing Gland	62	Thrust Grease seal
25	Connecting Rod	45	Rotor Pin	64	Packing
26	Drive Shaft	46	Shaft Pin	65	Packing Gland Insert
29	Radial Bearing	49	Collar	70	Grease Feeder
30	Thrust Bearing	50	Rotor Band	73	Drive Pin Washer
31	External Bearing spacer	53	Connecting Rod Washer	110B	Rotor Head O'ring

